

Features:

GMX20910

Included Components:

- Combination GMX20910
- Bowl GMX21962
- Tank GMX28995

- Vitreous China
- 10" Rough-in
- 3" flush valve for maximum water force
- Fluidmaster® Fill Valve
- Corrosion resistant flapper
- Extra-Large Dual fed siphon jets for high power bowl clearing
- 100% glazed, 2" large trapway for clog-free waste removal
- Double nut, multi-point tank-to-bowl mounting system for tool-free installation
- Color matched tank lever
- Toilet seat is not included



Technical Information:

| | |
|----------------------|-----------------------------|
| Configuration | Two-piece, Elongated Toilet |
| Water per Flush | 1.6 gpf (6.0 Lpf) |
| Rough-In | 10" |
| Height | 28 3/4" |
| Width | 17 1/4" |
| Depth | 27 1/8" |
| Trapway | 2" |
| Large Water Surface | 8 11/16" x 6 5/16" |
| Shipping weight Bowl | 48.1 lbs |
| Shipping weight Tank | 29.3 lbs |

Accessories: (To be purchased separately)

N/A

Other Tank Options: (To be purchased separately)

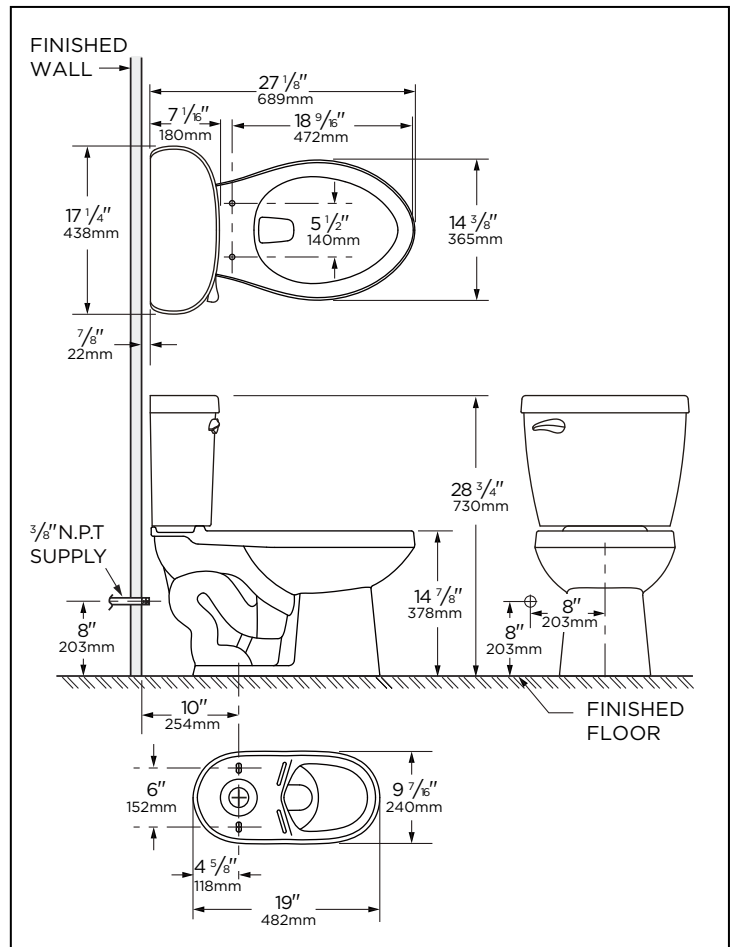
N/A

Available Colors:

- White
- Other: Refer to Price Book for additional colors/finishes

Warranty:

- Limited Lifetime on Vitreous China, refer to the website for more details.



NOTES: All dimensions are in inches and millimeters. Illustrations may not be drawn to scale.

IMPORTANT:

Dimensions of fixtures are nominal and may vary within the range of tolerances established by ASME standard A 112.19.2. THIS FIXTURE QUALIFIES ACCORDING TO ASME TEST PROCEDURES AS A LOW CONSUMPTION WATER CLOSET WITH AN AVERAGE CONSUMPTION OF 1.6 gpf (6.0 Lpf) OR LESS.