



GERBER

www.gerberonline.com

AVALANCHE™ LS 1.28 ErgoHeight™ 17" High Elongated Toilet

12" Rough-In

Features:

□ LS-21-818

- 1.28 gpf/4.8 Lpf high efficiency toilet
- ADA elongated ErgoHeight™ bowl
- 3" flush valve
- Dual-fed siphon jet
- Leak-sentry Fluidmaster® fill valve
- 2" fully glazed trapway
- 12" rough-in tank
- Color matched metal side tank lever
- Toilet seat not included

Technical Information:

Included Components:

- Combination LS-21-818
- Bowl AV-21-828
- Tank LS-28-890

Fixtures:

Configuration	two-piece, ADA
Water per Flush	1.28 gpf (4.8 Lpf)
Rough-In	12"
Height	30 5/8"
Width	17 1/8"
Depth	28 1/2"
Trapway	2"
Large Water Surface	10 5/8" x 7 1/8"
Shipping Weight	90 lbs

Accessories:

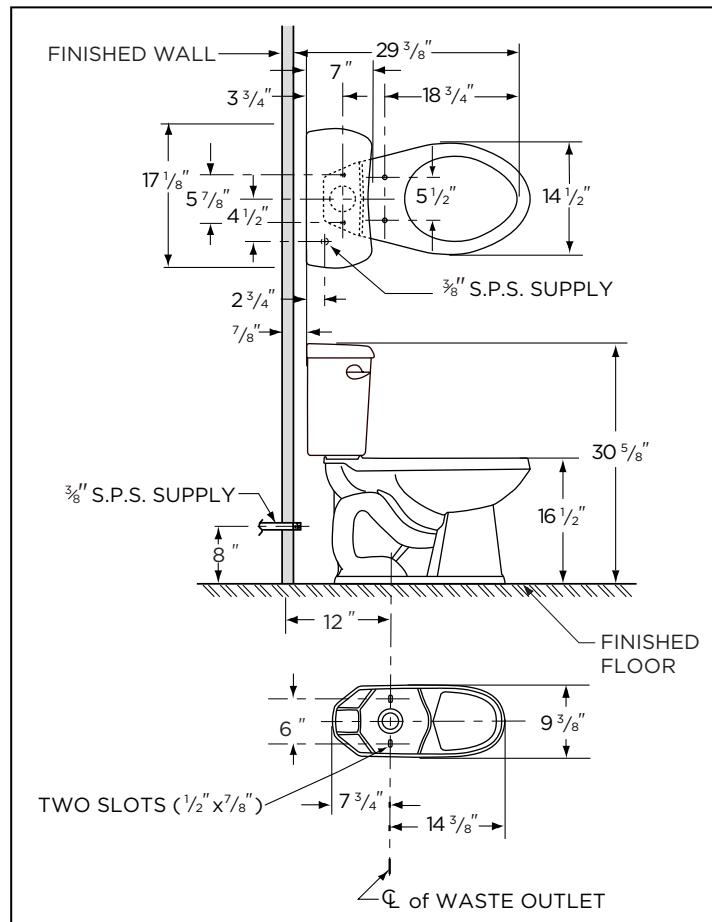
Soft Close Toilet Seat	99-213
------------------------	--------

Colors/Finishes:

- White
- Other: Refer to Price Book for additional colors/finishes

Warranty:

- Limited lifetime warranty



NOTES: All dimensions are in inches. Illustrations may not be drawn to scale.

IMPORTANT:

Dimensions of fixtures are nominal and may vary within the range of tolerances established by ASME standard A 112.19.2 THIS FIXTURE QUALIFIES ACCORDING TO ASME TEST PROCEDURES AS A LOW CONSUMPTION WATER CLOSET WITH AN AVERAGE CONSUMPTION OF 1.28 gpf (4.8 Lpf) OR LESS.