

Features:

GLF20528

Included Components:

- Combination GLF20528
- Bowl GWS21528
- Tank GLF28528

- Vitreous China
- 12" Rough-in
- 3" flush valve for maximum water force
- Fluidmaster®400A Fill Valve
- Extra-Large Dual fed siphon jets for high power bowl clearing
- 100% glazed, large trapway for clog-free waste removal
- Double nut, multi-point tank-to-bowl mounting system for tool-free installation
- Chrome, top button actuator
- Toilet seat is not included



Technical Information:

Configuration	Two-piece, ErgoHeight™ ADA Elongated Toilet
Water per Flush	0.8 gpf (3.0 Lpf)
Rough-In	12"
Height	31 3/16"
Width	17 1/2"
Depth	29"
Trapway	1 11/16"
Large Water Surface	8 11/16" x 6 5/16"
Shipping weight Bowl	52 lbs
Shipping weight Tank	32.4 lbs

Accessories: (to be purchased separately)

N/A

Other Tank Options: (bowl to be purchased separately)

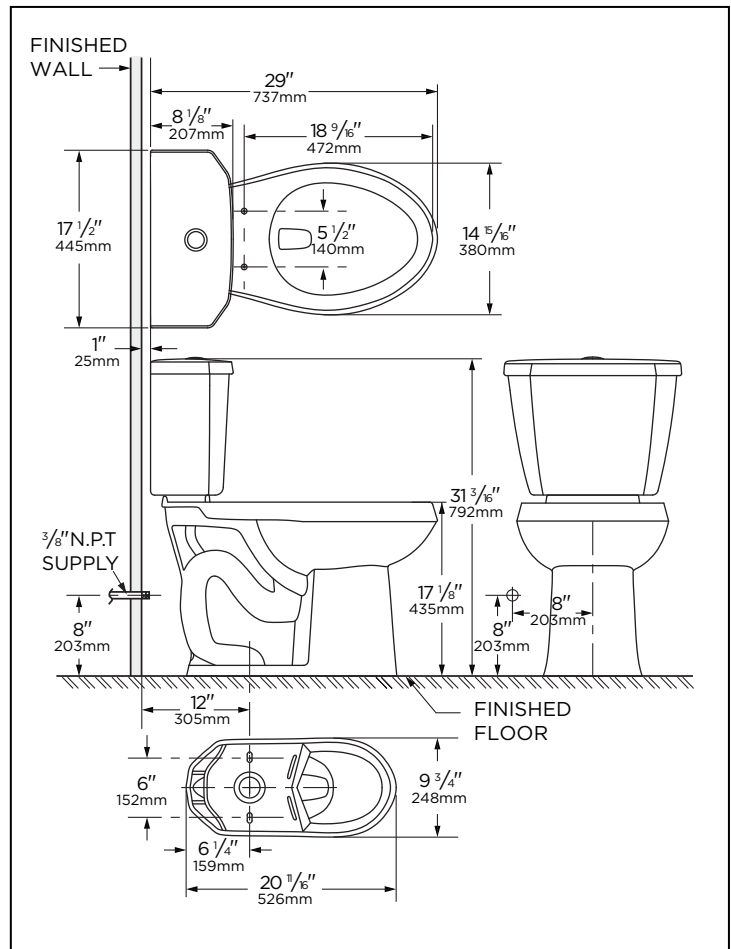
N/A

Available Colors:

- White Only
- Other: Refer to Price Book for additional colors/finishes

Warranty:

- Limited Lifetime on Vitreous China, refer to the website for more details.



NOTES: All dimensions are in inches and millimeters. Illustrations may not be drawn to scale.

IMPORTANT:

Dimensions of fixtures are nominal and may vary within the range of tolerances established by ASME standard A 112.19.2 THIS FIXTURE QUALIFIES ACCORDING TO ASME TEST PROCEDURES AS A HIGH EFFICIENCY WATER CLOSET WITH AN AVERAGE CONSUMPTION OF 0.8 gpf (3.0 Lpf) OR LESS.