



GERBER

VITREOUS CHINA
URINAL
HE-27-735

LAVATORIES

TOILETS

BIDETS / URINALS

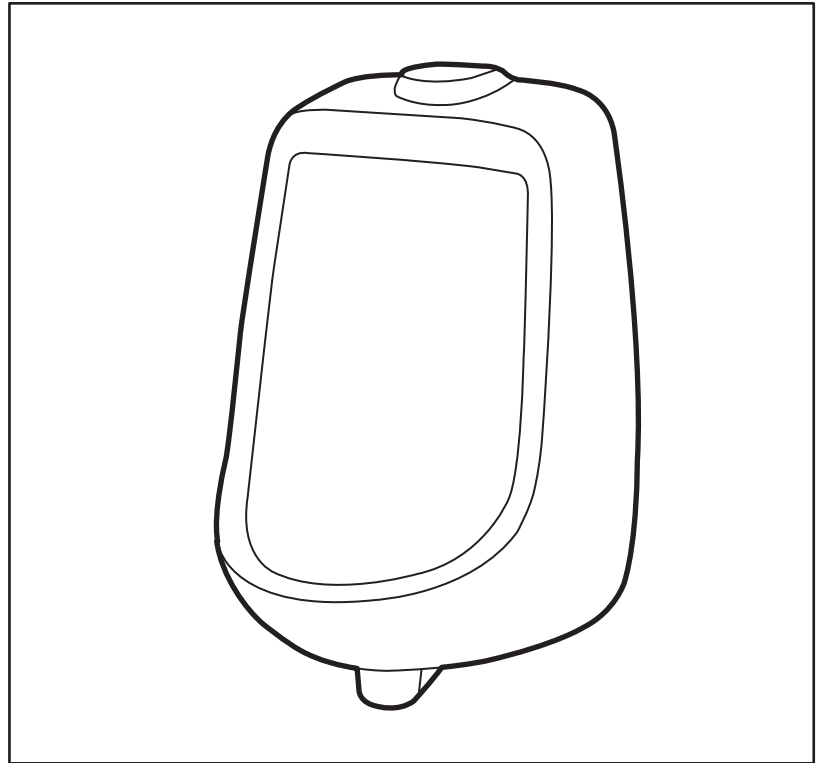
CAST IRON



North Point™ Back Spud Urinal

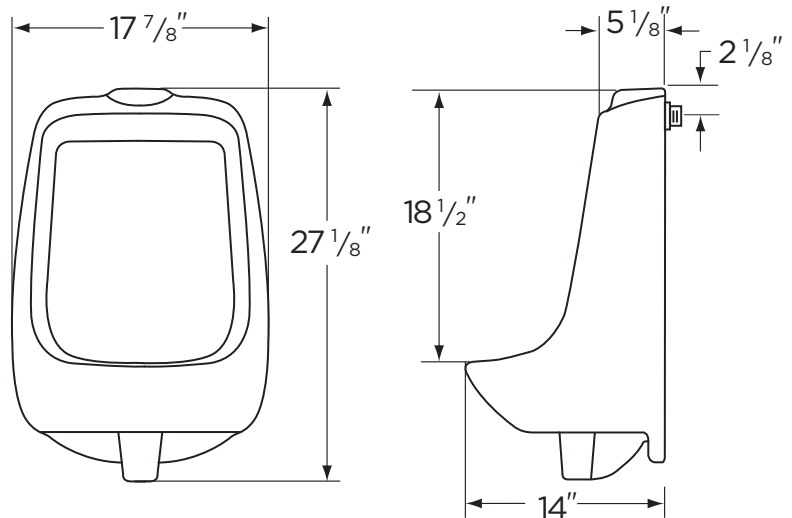
Features:

- High Efficiency Urinal 0.5 gpf (1.9 Lpf)
- Half Stall Size
- Flushing Rim
- Washout Flush Action
- Elongated Rim (14" from finished wall)
- 3/4" Inlet Back Spud for Concealed Flushometer
- Outlet Connection Threaded 2" Inside (NPTF)
- Dual Wall Hangers
- ADA compliant



Dimensions:

Height27 1/8"
 Width17 7/8"
 Depth14"
 Inlet.....3/4"
 Outlet.....2"
 Shipping Weight52 lbs



RECOMMENDED STATIC WATER PRESSURE FOR PLUMBING FIXTURES IS 20 - 80 PSI STATIC PER ANSI STANDARDS A112.19.2 APPENDIX B

THIS FIXTURE QUALIFIES ACCORDING TO ASME TEST PROCEDURES AS A HIGH EFFICIENCY URINAL WITH AN AVERAGE CONSUMPTION PER FLUSH OF 0.5 gpf (1.9 Lpf) OR LESS.



www.gerberonline.com

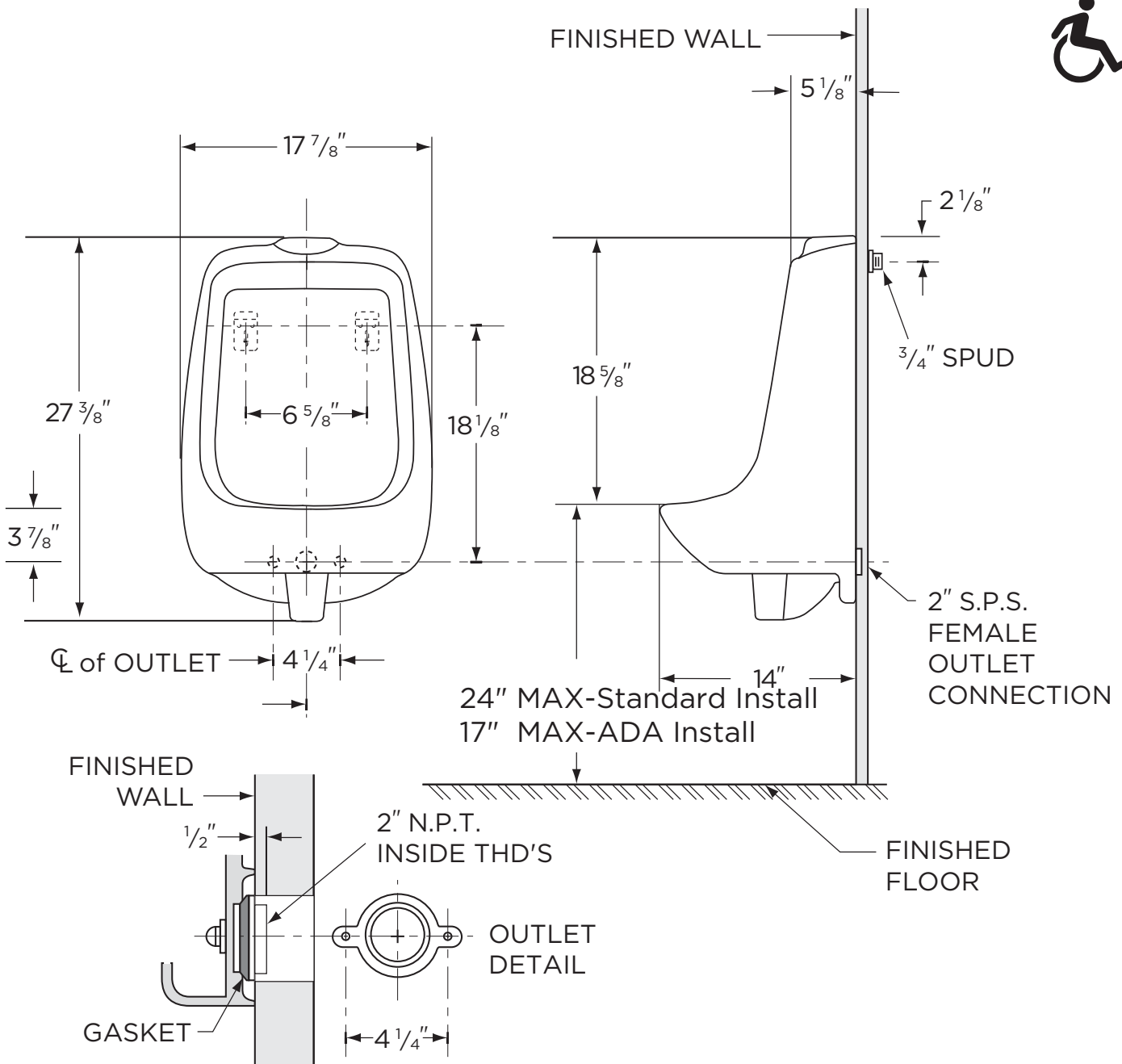
Job Name	
Date	
Model Specified	
Quantity	
Customer	
Contractor	
Architect/engineer	



GERBER

HE-27-735

High Efficiency Large 0.5 gpf (1.9 Lpf) Back Spud Urinal



NOTES:

All dimensions are in inches. Use flush valve MFR'S recommended rough-in.

Recommended static water pressure for plumbing fixtures is 20-80 psi static per ANSI standards A112.19.2 Appendix B.

Illustrations may not be drawn to scale.

PLUMBERS NOTE:

Provide suitable reinforcement for all wall supports.

IMPORTANT:

Dimensions of fixtures are nominal and may vary within the range of tolerances established by ASME Standard A 112.19.2.

THIS FIXTURE QUALIFIES ACCORDING TO ASME TEST PROCEDURES AS A HIGH EFFICIENCY URINAL WITH AN AVERAGE CONSUMPTION OF 0.5 gpf (1.9 Lpf) OR LESS.