



VITREOUS CHINA

TOILET  
**HE-21-824**

LAVATORIES

TOILETS

BIDETS / URINALS

CAST IRON



# AVALANCHE™ 1.28 ErgoHeight™ 17" High Elongated Toilet

14" Rough-in

### Features:

- 1.28 gpf (4.8 Lpf) High Efficiency Toilet
- ADA Elongated Bowl
- 3" Flush Valve
- Fluidmaster® Fill Valve
- Glazed Trapway
- Reverse Trap
- Dual Feed Jet
- Available in White
- Side Tank Lever
- 2 Bolt Caps

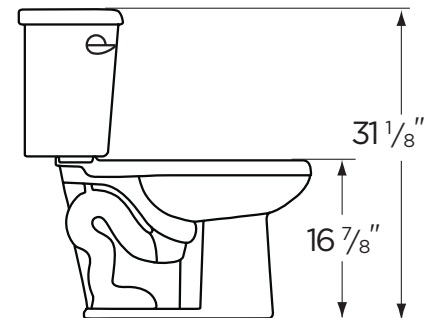
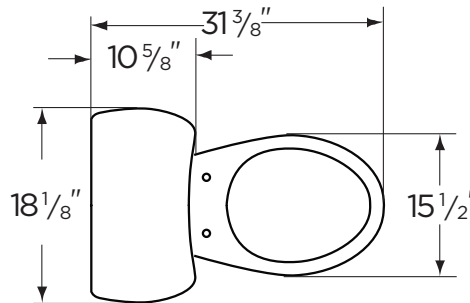


Bowl — #HE-21-828 Elongated Bowl  
Seat not included

Tank — #HE-28-894

### Dimensions:

- Height ..... 31 1/8"
- Width ..... 18 1/8"
- Depth ..... 31 3/8"
- Rough-in ..... 14"
- Water Surface from Rim ..... 7 7/8"
- Trapway ..... 2"
- Water Surface ..... 10 1/4" x 6 3/8"
- Water Seal ..... 2 1/2"
- Shipping Weight ..... 91 lbs



THIS FIXTURE QUALIFIES ACCORDING TO ASME TEST PROCEDURES AS A HIGH EFFICIENCY WATER CLOSET WITH AN AVERAGE CONSUMPTION OF 1.28 gpf (4.8 Lpf) OR LESS.

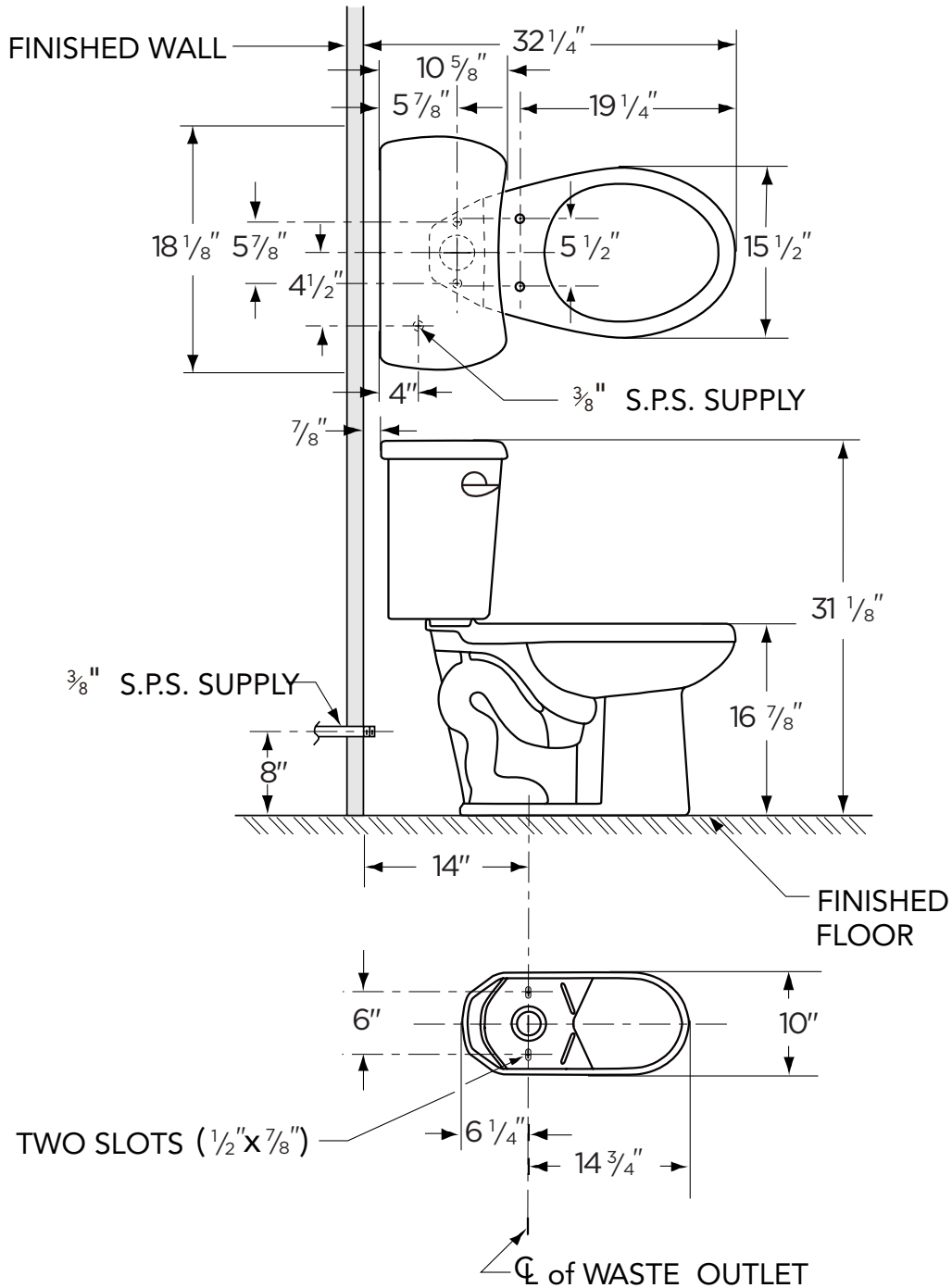
Job Name	
Date	
Model Specified	
Quantity	
Customer	
Contractor	
Architect/engineer	

www.gerberonline.com



# 1.28 gpf (4.8 Lpf) AVALANCHE™ TOILET

HE-21-824  
17" High Elongated, 14" Rough-in  
(Bowl HE-21-828 with Tank HE-28-894)



NOTES:  
All dimensions are in inches.

Illustrations may not be drawn to scale.

IMPORTANT:  
Dimensions of fixtures are nominal and may vary within the range of tolerances established by ASME Standard A 112.19.2.

THIS FIXTURE QUALIFIES ACCORDING TO ASME TEST PROCEDURES AS A HIGH EFFICIENCY WATER CLOSET WITH AN AVERAGE CONSUMPTION OF 1.28 gpf (4.8 Lpf) OR LESS.