

**Features:**

**GHE2060197**

Included Components:

- Combination      GHE2060197
- Bowl                GHE21601
- Tank                GHE2860197

- Toilet-In-A-Box configuration
- 3" flush valve for maximum water force
- Dual-fed siphon jets action bowl (no splashing)
- Fully glazed trapway for clog-free waste removal
- Color matched metal tank lever
- 6 point tank to bowl connection for tank stability
- Sanitary bead for easy cleaning
- Color matched bolt caps included
- GC550119 Toilet seat included
- Wax Ring included
- Lid locker included



**Technical Information:**

Configuration	Two-piece, Round Front Toilet
Water per Flush	1.28 gpf (4.8 Lpf)
Rough-In	10"
Height	23 7/8"
Width	15 3/4"
Depth	24 5/8"
Trapway	1 3/4"
Large Water Surface	8 11/16" x 6 5/16"
Shipping weight	63 lbs

**Accessories:** (To be purchased separately)

N/A

**Other Tank Options:** (To be purchased separately)

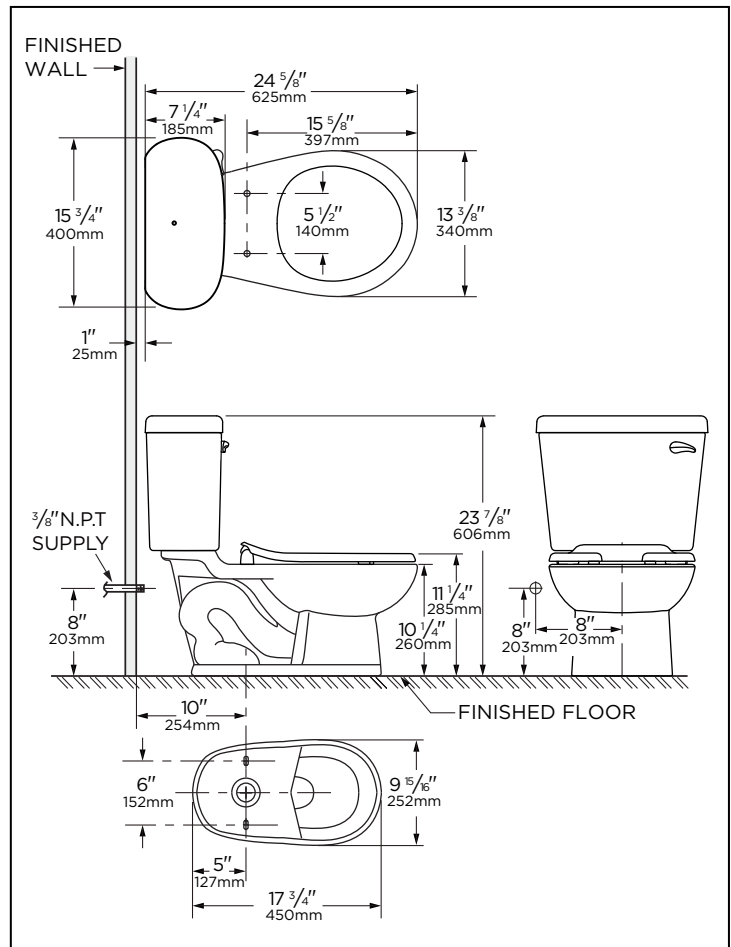
N/A

**Available Colors:**

- White
- Other: Refer to Price Book for additional colors/finishes

**Warranty:**

- Limited Lifetime on Vitreous China, refer to the website for more details.



**NOTES:** All dimensions are in inches and millimeters. Illustrations may not be drawn to scale.

**IMPORTANT:**

Dimensions of fixtures are nominal and may vary within the range of tolerances established by ASME standard A 112.19.2 THIS FIXTURE QUALIFIES ACCORDING TO ASME TEST PROCEDURES AS A HIGH EFFICIENCY WATER CLOSET WITH AN AVERAGE CONSUMPTION OF 1.28 gpf (4.8 Lpf) OR LESS.