



GERBER

VITREOUS CHINA
TOILET
EF-21-319

LAVATORIES

TOILETS

BIDETS / URINALS

CAST IRON



ULTRA FLUSH® 1.1 Pressure-Assist Toilet 17" Elongated ErgoHeight™ with Bedpan Cleansing Rim

12" Rough-in

Features:

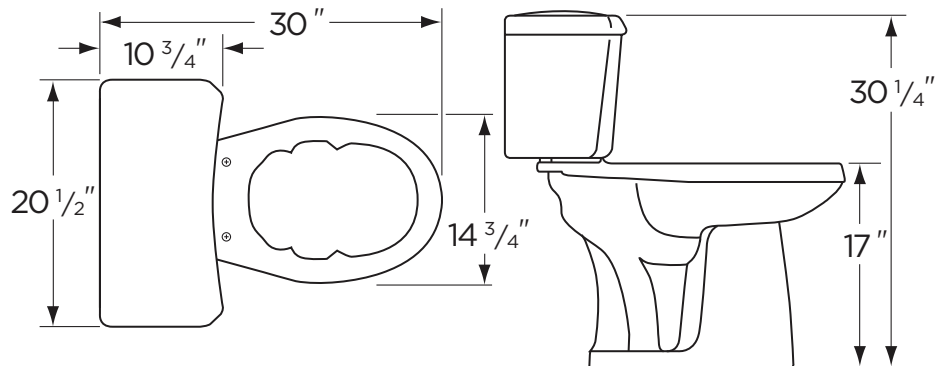
- Water Conservation 1.1 gpf (4.0 Lpf)
- Elongated ErgoHeight™ Bowl
- Pressurized Flushing Action
- Close Coupled Flushometer Tank
- Siphon Jet
- Front Tank Lever
- Optional Right-handed Trip Lever Available
- 2 Bolt Caps
- ADA Compliant



Dimensions:

- Height 30 1/4"
- Width 20 1/2"
- Depth 30"
- Rough-in 12"
- Water Surface from Rim 4 1/2"
- Trapway (min) 2"
- Water Surface 12 7/8" x 10 1/4"
- Water Seal 2 1/2"
- Shipping Weight 94 lbs

Specifications: Bowl—#21-329 Elongated ErgoHeight™ Tank—#EF-28-380
Seat not included



THIS FIXTURE QUALIFIES ACCORDING TO ASME TEST PROCEDURES AS A HIGH EFFICIENCY TOILET (HET) WITH AN AVERAGE CONSUMPTION OF 1.1 GPF OR LESS.

HIGH EFFICIENCY TOILET
HET



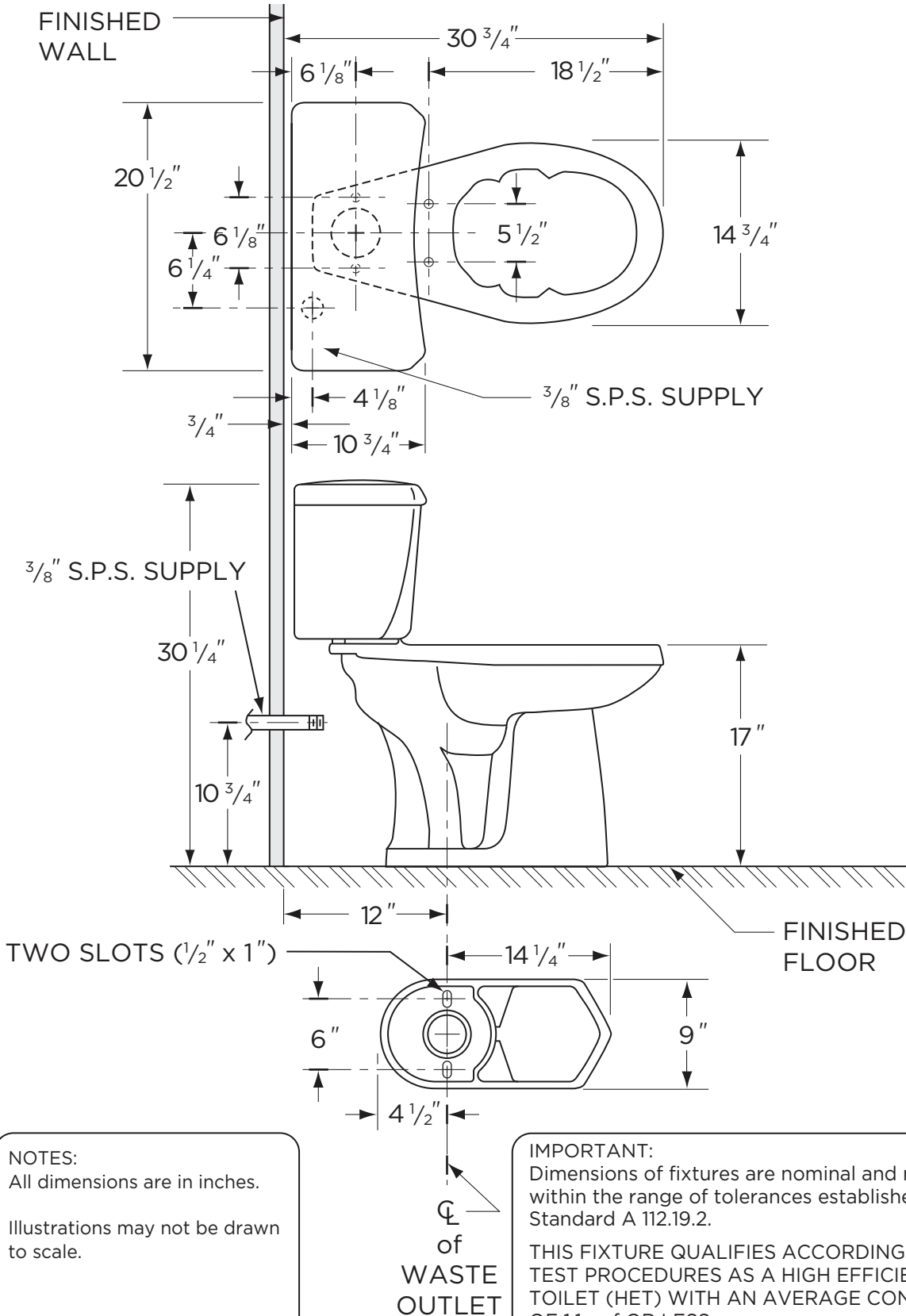
www.gerberonline.com

Job Name	
Date	
Model Specified	
Quantity	
Customer	
Contractor	
Architect/engineer	



GERBER

1.1 gpf (4.0 Lpf) Ultra Flush® 1.1 Toilet
EF-21-319
17" Elongated ErgoHeight™ with Bedpan Lugs, 12" Rough-in
(Bowl 21-329 with Tank EF-28-380)



NOTES:
All dimensions are in inches.
Illustrations may not be drawn to scale.

IMPORTANT:
Dimensions of fixtures are nominal and may vary within the range of tolerances established by ASME Standard A 112.19.2.
THIS FIXTURE QUALIFIES ACCORDING TO ASME TEST PROCEDURES AS A HIGH EFFICIENCY TOILET (HET) WITH AN AVERAGE CONSUMPTION OF 1.1 gpf OR LESS.