



GERBER

www.gerberonline.com

Maxwell Dual Flush 1.1/1.6 GPF Round Front Toilet

12" Rough-In

Features:

□ DF-21-902

- Vitreous China
- Combination bowl and tank
- Dual Flush 1.1/1.6 gpf (4.0/6.0 Lpf) High efficiency toilet (HET)
- Round front bowl
- Syphonic flush action cleans the bowl and prevents splashing
- Top mounted, two-button actuator
- 2" fully glazed trapway for effective waste removal
- Available in White, Biscuit and Bone
- Color matched bolt caps included
- Toilet seat not included

Technical Information:

Included Components:

- Combination DF-21-902
- Bowl 21-952
- Tank DF-28-990

Other Tank Options: (bowl to be purchased separately)

- Insulated Tank DF-28-992

Fixtures:

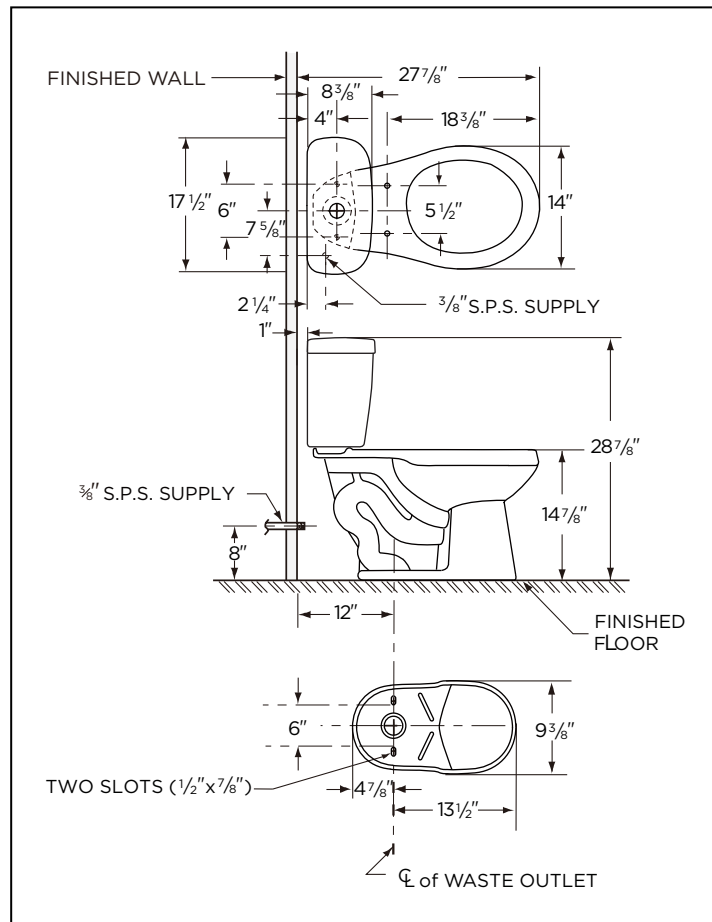
Configuration	two-piece, round front
Water per Flush	1.1/1.6 gpf (4.0/6.0 Lpf)
Rough-In	12"
Height	28 7/8"
Width	17 1/2"
Depth	26 7/8"
Trapway	2"
Large Water Surface	9 1/8" X 7"
Shipping Weight	76 lbs

Colors/Finishes:

- White
- Other: Refer to Price Book for additional colors/finishes

Warranty:

- Limited lifetime warranty



HIGH EFFICIENCY TOILET

HET



NOTES: All dimensions are in inches. Illustrations may not be drawn to scale.

IMPORTANT:

Dimensions of fixtures are nominal and may vary within the range of tolerances established by ASME standard A 112.19.2 THIS FIXTURE QUALIFIES ACCORDING TO ASME TEST PROCEDURES AS A HIGH EFFICIENCY WATER CLOSET WITH AN AVERAGE CONSUMPTION OF 1.28 gpf (4.8 Lpf) OR LESS.