



VITREOUS CHINA

TOILET
DF-21-310

LAVATORIES

TOILETS

BIDETS / URINALS

CAST IRON



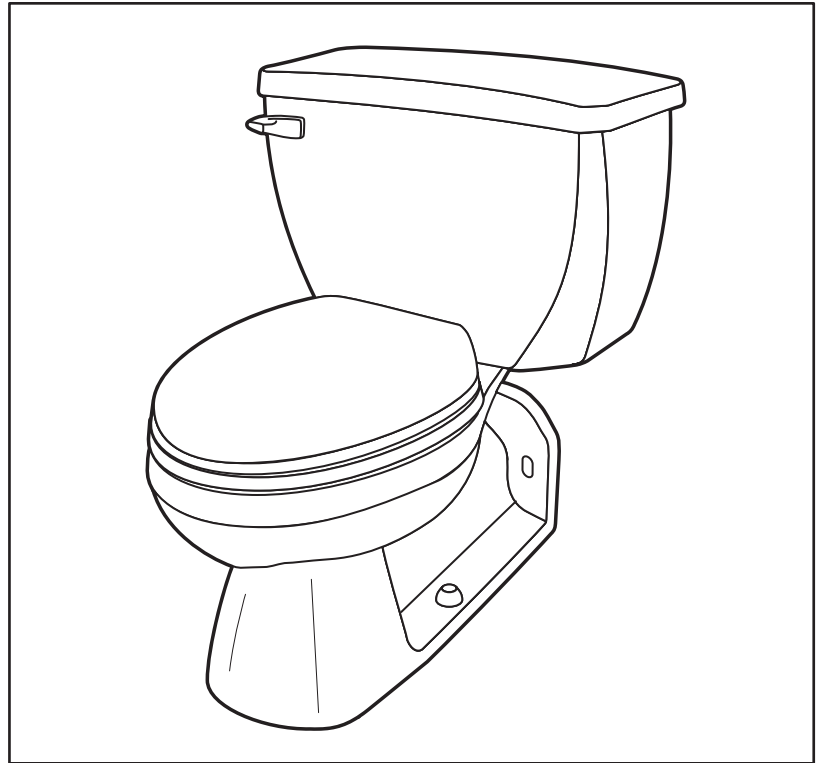
ULTRA DUAL-FLUSH™ Pressure-Assist Toilet Elongated, Back Outlet

Features:

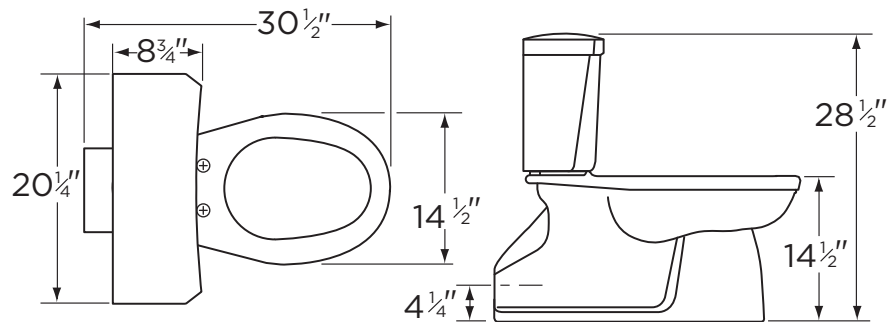
- Low Consumption Dual-Flush (1.1/1.6 gpf) (4.0/6.0 Lpf)
- Elongated Bowl
- Wall Waste Outlet
- Pressurized Flushing Action
- Close Coupled Flushometer Tank
- Siphon Jet
- Front Tank Lever
- 2 Bolt Caps

Dimensions:

Height 28 1/2"
 Width 20 1/4"
 Depth 30 1/2"
 Rough-in (vertical) 4 1/4"
 Water Surface from Rim 4 1/2"
 Trapway (min) 2"
 Water Surface 14" x 10 1/2"
 Water Seal 3"
 Shipping Weight 99 lbs



Specifications: Bowl—#21-374 Round Front Tank—#DF-28-380
 Seat not included



THIS FIXTURE QUALIFIES
 ACCORDING TO ASME TEST
 PROCEDURES AS A LOW
 CONSUMPTION WATER CLOSET
 WITH AN AVERAGE CONSUMPTION
 OF 1.6 gpf (6 Lpf) OR LESS.

HIGH EFFICIENCY TOILET
HET



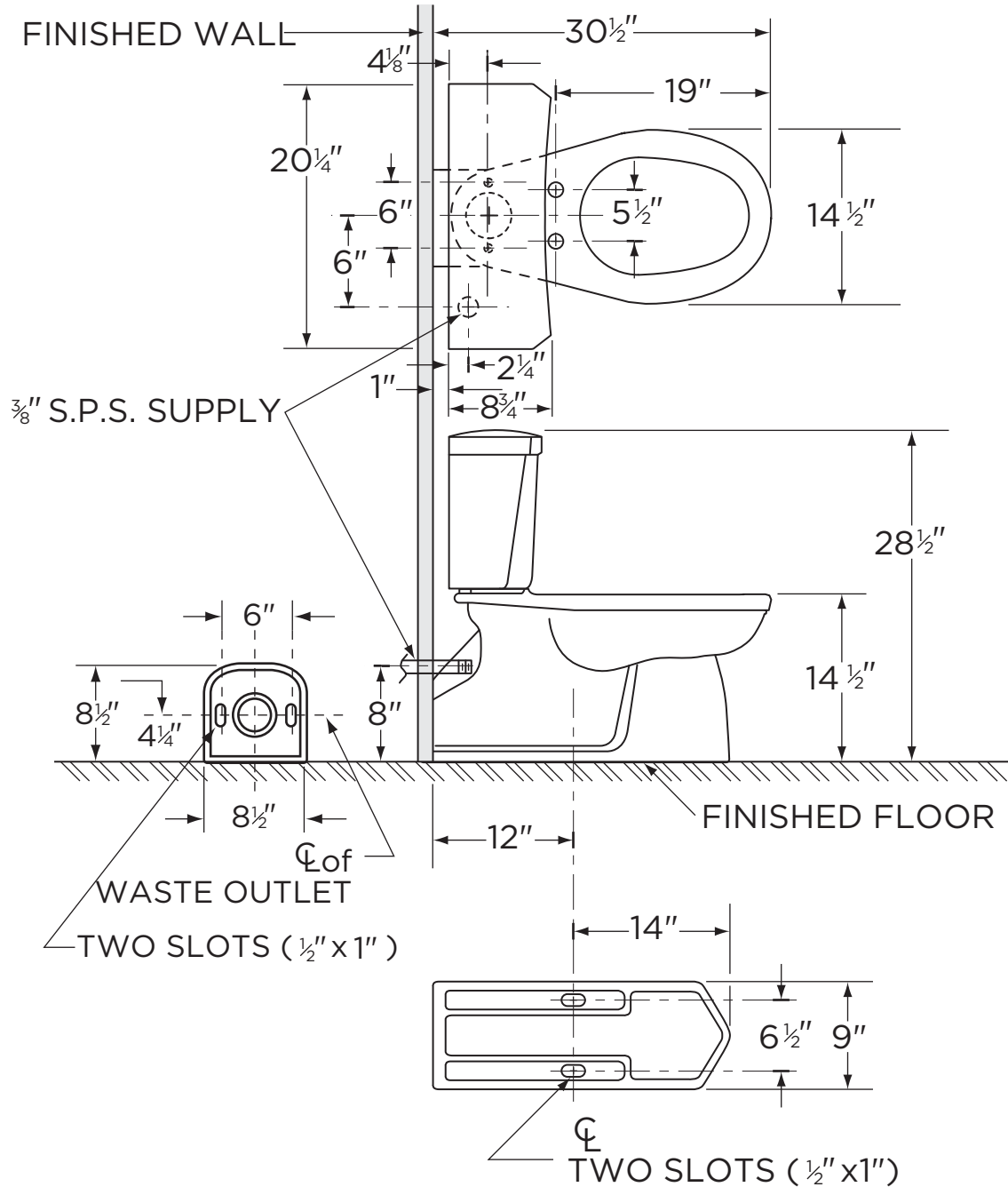
www.gerberonline.com

Job Name	
Date	
Model Specified	
Quantity	
Customer	
Contractor	
Architect/engineer	



1.1/1.6 gpf (4.0/6.0 Lpf) LOW
CONSUMPTION ULTRA DUAL-FLUSH™ TOILET

DF-21-310
Elongated, Back Outlet
(Bowl 21-374 with Tank DF-28-380)



NOTES:

All dimensions are in inches.

Illustrations may not be drawn to scale.

IMPORTANT:

Dimensions of fixtures are nominal and may vary within the range of tolerances established by ASME Standard A 112.19.2.

THIS FIXTURE QUALIFIES ACCORDING TO ASME TEST PROCEDURES AS A LOW CONSUMPTION WATER CLOSET WITH AN AVERAGE CONSUMPTION OF 1.6 gpf (6 Lpf) OR LESS.