



GERBER

VITREOUS CHINA
TOILET
DF-21-117

LAVATORIES

TOILETS

BIDETS / URINALS

CAST IRON



MAXWELL® DUAL FLUSH Gravity Toilet 16 1/2" Elongated ErgoHeight™

10" Rough-in

Features:

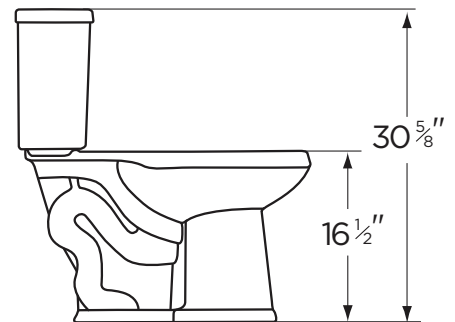
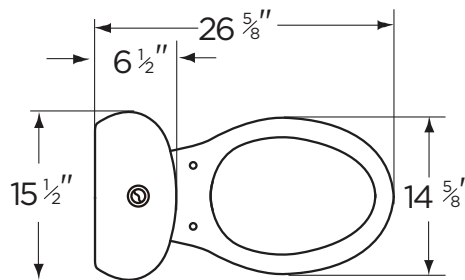
- Dual Flush 1.1/1.6 gpf (4.0/6.0 Lpf)
- High Efficiency Toilet (HET)
- Elongated ErgoHeight™ Bowl
- Glazed Trapway
- Reverse Trap
- Front Jet Flushing Action
- Top Mounted, Two-button Actuator
- Siphonic Flush Action Keeps Bowl Clean
- Available in White and Biscuit
- 2 Bolt Caps



Dimensions:

- Height 30 5/8"
- Width 15 1/2"
- Depth 26 5/8"
- Rough-in 10"
- Water Surface from Rim 6"
- Trapway 1 3/4"
- Water Surface 10 3/8" x 7 3/4"
- Water Seal 2 1/4"
- Shipping Weight 67.5 lbs

Specifications: Bowl—#21-128 Elongated ErgoHeight™ Tank—#DF-28-195
Seat not included



THIS FIXTURE QUALIFIES
ACCORDING TO ASME TEST
PROCEDURES AS A WATER CLOSET
WITH AN AVERAGE CONSUMPTION
OF 1.6 gpf (6 Lpf) OR LESS.



www.gerberonline.com

Job Name	
Date	
Model Specified	
Quantity	
Customer	
Contractor	
Architect/engineer	

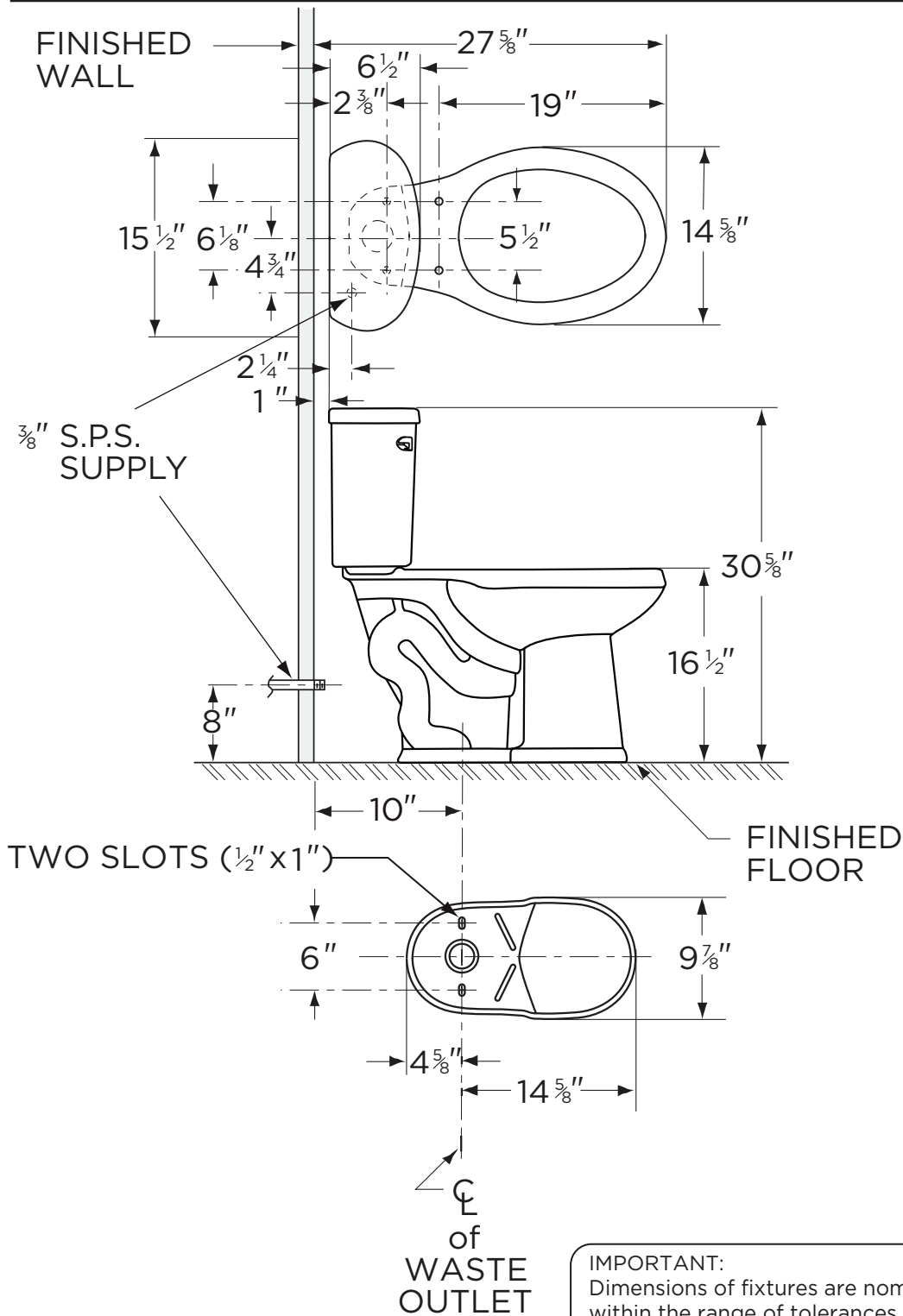


GERBER

1.1/1.6 gpf (4.0/6.0 Lpf) Mawell® Dual Flush Toilet

DF-21-117

16 1/2" Elongated ErgoHeight™, 10" Rough-in
(Bowl 21-128 with Tank DF-28-195)



NOTES:
All dimensions are in inches.
Illustrations may not be drawn to scale.

IMPORTANT:
Dimensions of fixtures are nominal and may vary within the range of tolerances established by ASME Standard A 112.19.2.

THIS FIXTURE QUALIFIES ACCORDING TO ASME TEST PROCEDURES AS A WATER CLOSET WITH AN AVERAGE CONSUMPTION OF 1.6 gpf (6 Lpf) OR LESS.