



GERBER

VITREOUS CHINA
TOILET
DF-21-114

LAVATORIES

TOILETS

BIDETS / URINALS

CAST IRON

MAXWELL® DUAL FLUSH Elongated Toilet

14" Rough-in

Features:

- Dual Flush 1.1/1.6 gpf (4.0/6.0 Lpf)
- High Efficiency Toilet (HET)
- Elongated Bowl
- Glazed Trapway
- Reverse Trap
- Front Jet Flushing Action
- Top Mounted, Two-button Actuator
- Syphonic Flush Action Keeps Bowl Clean
- Available in White
- 2 Bolt Caps

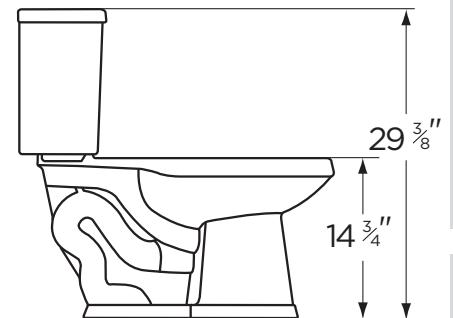
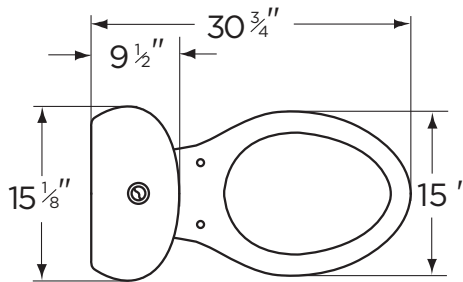
Dimensions:

- Height29 ³/₈"
- Width15 ¹/₈"
- Depth30 ³/₄"
- Rough-in14"
- Water Surface from Rim 5 ¹/₂"
- Trapway 1 ³/₄"
- Water Surface11" x 8"
- Water Seal 2 ¹/₂"
- Shipping Weight78 lbs



Specifications: Bowl—#21-128 Elongated
Seat not included

Tank—#DF-28-194



THIS FIXTURE QUALIFIES ACCORDING TO ASME TEST PROCEDURES AS A HIGH-EFFICIENCY WATER CLOSET WITH AN AVERAGE CONSUMPTION OF 1.28 gpf (4.8 Lpf) OR LESS.

| | |
|--------------------|--|
| Job Name | |
| Date | |
| Model Specified | |
| Quantity | |
| Customer | |
| Contractor | |
| Architect/engineer | |

www.gerberonline.com



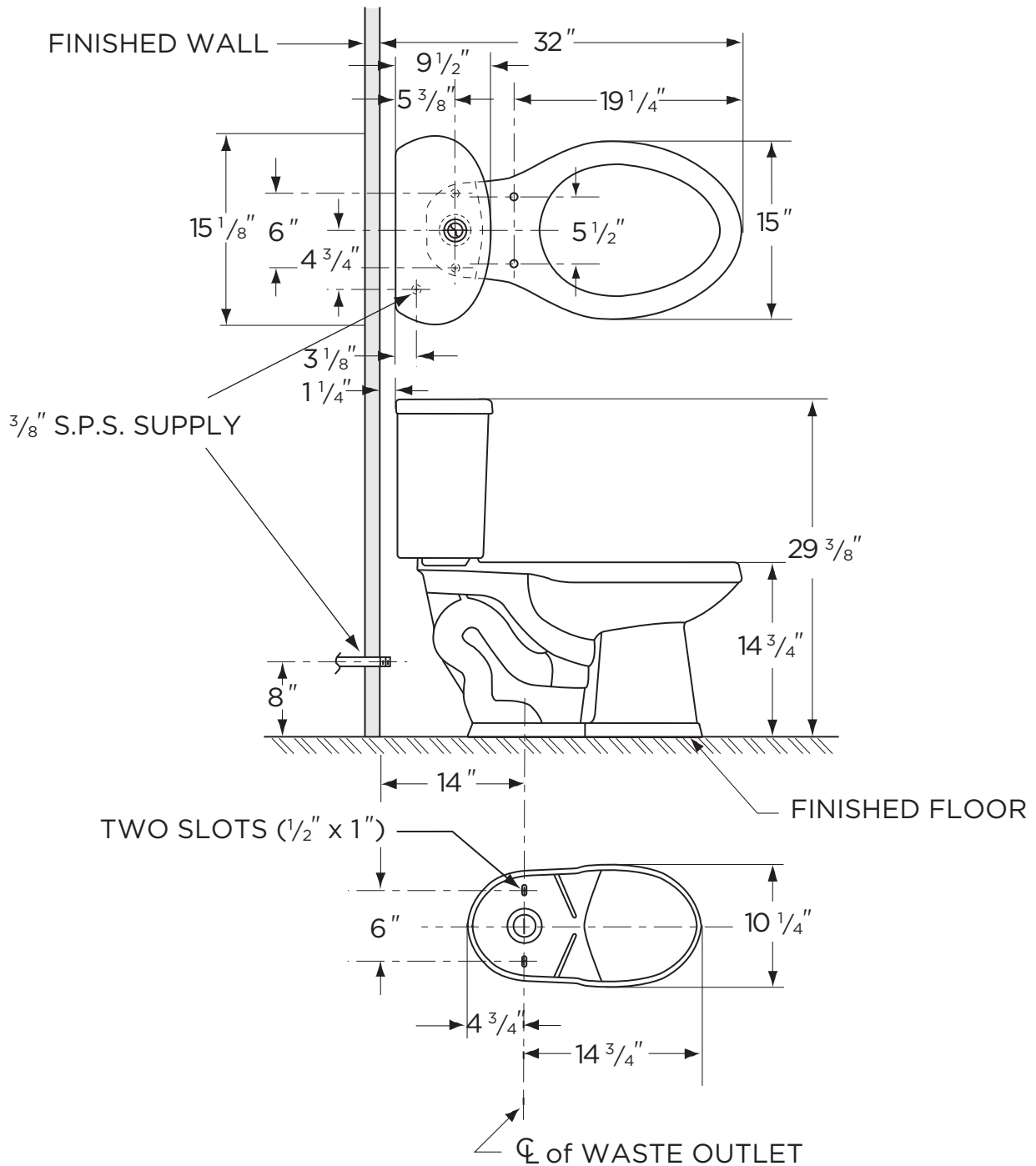
GERBER

MAXWELL® Dual Flush TOILET

DF-21-114

Elongated, 14" Rough-in

(Bowl 21-162 with Tank DF-28-194)



NOTES:

All dimensions are in inches.

Illustrations may not be drawn to scale.

IMPORTANT:

Dimensions of fixtures are nominal and may vary within the range of tolerances established by ASME Standard A 112.19.2.

THIS FIXTURE QUALIFIES ACCORDING TO ASME TEST PROCEDURES AS A HIGH-EFFICIENCY WATER CLOSET WITH AN AVERAGE CONSUMPTION OF 1.28 gpf (4.8 Lpf) OR LESS.