



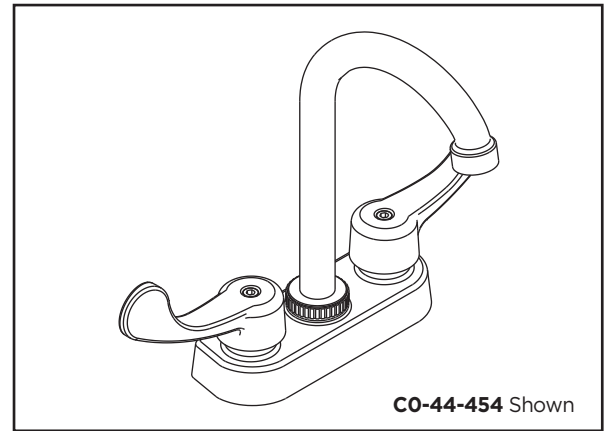
# GERBER

## CO-44-454 Series Commercial Faucet Two Handle Gooseneck Bar Faucet



### Features:

- Cast brass underbody with heavy chrome plated brass shell
- Choice of vandal proof lever or wrist blade metal handles
- Color-coded handle screws
- Ceramic disc cartridges G0086986 & G0086987
- Goose neck spout
- 1.75 gpm (6.6 L/min) maximum aerator G0091843 @ 60 psi
- Lead free waterway per NSF/ANSI 372
- 1/2" NPSM supply connection
- ADA compliant handles operate with less than 5 lbs. force
- Max. 1 3/8" deck thickness



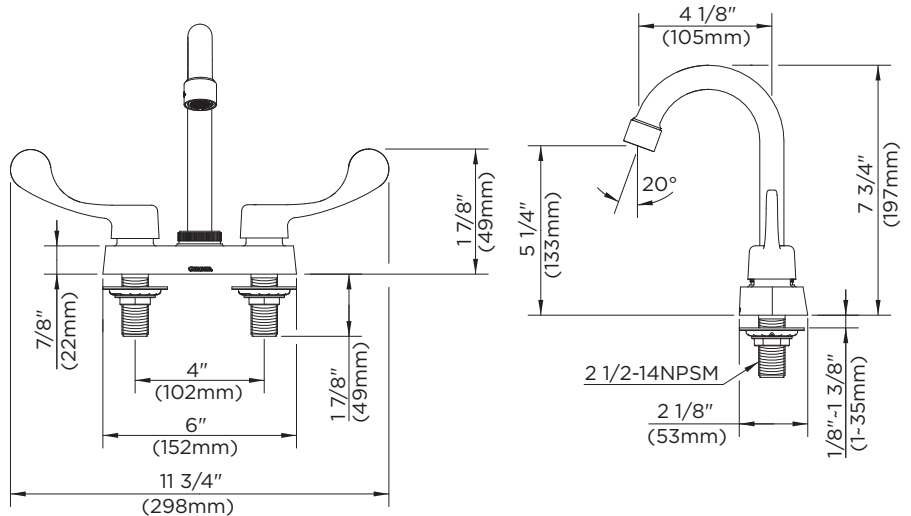
CO-44-454 Shown

### Standards & Certifications:

- ASME A112.18.1M
- NSF/ANSI 372
- IAPMO/cUPC
- ICC/ANSI A117.1
- MASS Code

### Catalog Numbers:

- CO-44-454** With Wrist Blade Handles  
**C4-44-454** With Metal Lever Handles



### Prefixes Available:

- CO = Wrist Blade Handles  
 C4 = Metal Lever Handles

### Suffixes Available:

None

Job Name	
Date	
Model Specified	
Quantity	
Customer	
Contractor	
Architect/engineer	

Gerber Toll Free Technical Support: 888-648-6466  
www.gerberonline.com