



GERBER

C0-44-333 Series Commercial Faucet Two Handle Wall Mount Kitchen Faucet



Features:

- Solid cast brass housing
- Choice of vandal proof lever or wrist blade metal handles
- Color-coded handle screws
- Ceramic disc cartridges
- 8" or 12" swing spout
- Threaded escutcheons
- 8" centers for mounting +/- 1" for adjustment
- 1.75 gpm (6.6 L/min) maximum aerator G0097310 @60 psi
- 1/2" NPT supply connection w/brass connections
- Lead free waterway per NSF/ANSI 372
- Complies with ADA requirements
- Meets CEC requirements

Standards & Certifications:

- ASME A112.18.1M
- NSF/ANSI 372
- IAPMO/cUPC
- ICC/ANSI A117.1
- MASS Code

Catalog Numbers:

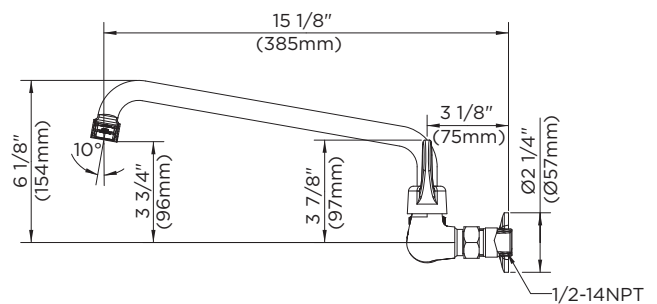
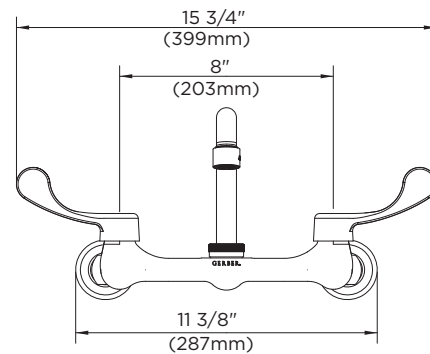
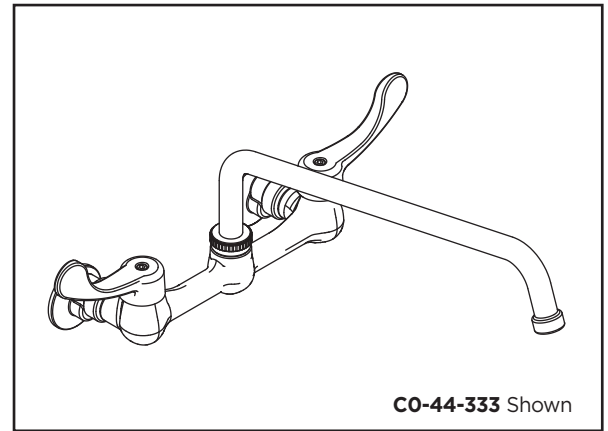
- C0-44-333** Wrist Blade Handles, With 12" Swing Spout
- C4-44-333** Lever Handles, With 12" Swing Spout
- C0-44-393** Wrist Blade Handles, With 8" Swing Spout
- C4-44-393** Lever Handles, With 8" Swing Spout

Prefixes Available:

- C4 = Metal Lever Handle
- C0 = Wrist Blade Handles

Suffixes Available:

None



Job Name	
Date	
Model Specified	
Quantity	
Customer	
Contractor	
Architect/engineer	

Gerber Toll Free Technical Support: 888-648-6466
www.gerberonline.com