



# GERBER

## CO-44-019 Series Commercial Faucet Two Handle Kitchen Faucet



### Features:

- Solid cast brass housing and spout w/heavy chrome plating
- Choice of vandal proof wrist blade or metal lever handles
- Color-coded handle screws
- Ceramic disc cartridges
- 8" centers for mounting
- 1.75 gpm (6.6 L/min) max Aeration / 2.2 gpm (8.3L/min) max Spray @ 60psi
- Lead free waterway per NSF/ANSI 372
- 1/2" NPSM supply connection
- Complies with ADA requirements
- Max. 1 5/8" deck thickness

### Standards & Certifications:

- ASME A112.18.1M
- NSF/ANSI 372
- IAPMO/cUPC
- ICC/ANSI A117.1
- MASS Code

### Catalog Numbers:

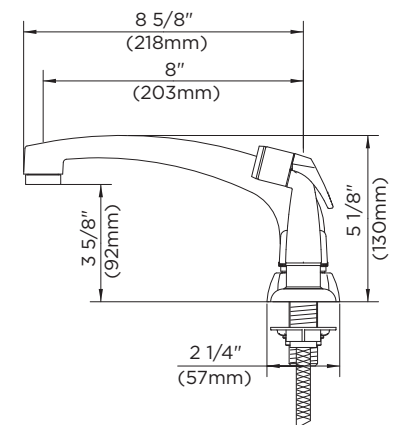
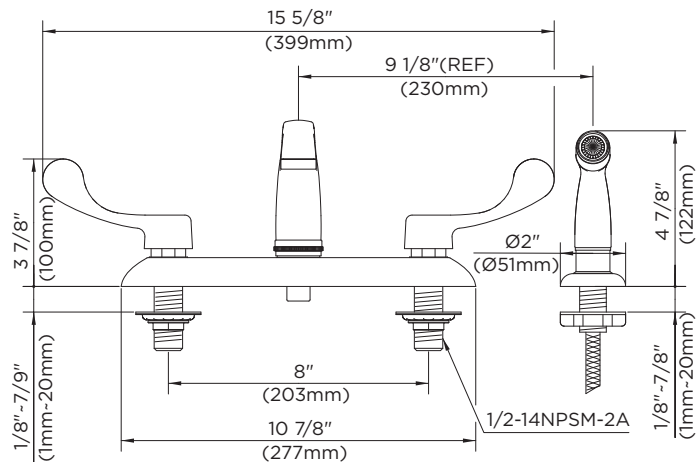
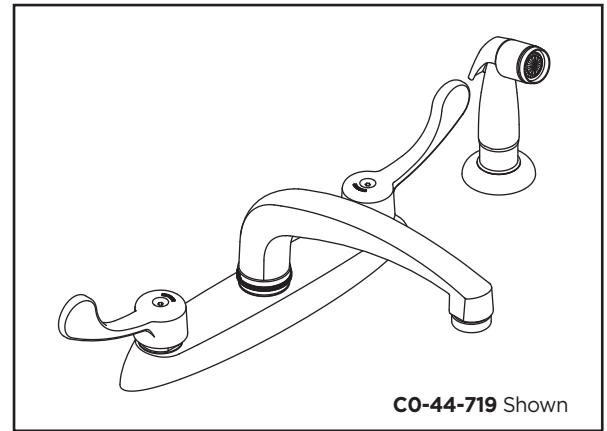
- CO-44-019** Less Spray, Wrist Blade Handle
- C4-44-019** Less Spray, Lever Handle
- CO-44-719** With Spray, Wrist Blade Handle
- C4-44-719** With Spray, Lever Handle

### Prefixes Available:

- CO = Metal Wrist Blade Handles
- C4 = Metal Lever Handles

### Suffixes Available:

None



Job Name	
Date	
Model Specified	
Quantity	
Customer	
Contractor	
Architect/engineer	

Gerber Toll Free Technical Support: 888-648-6466  
www.gerberonline.com