

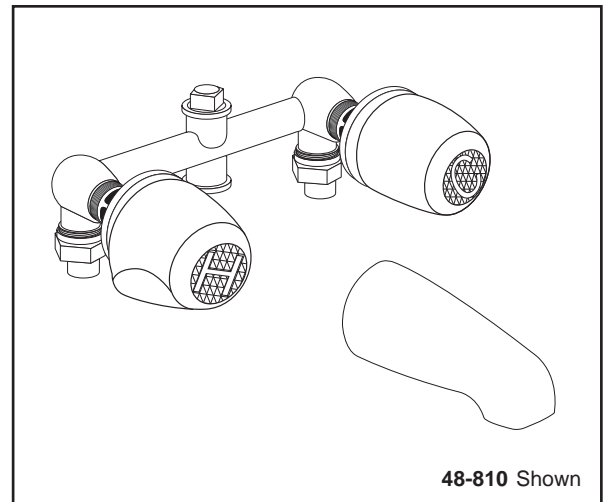


Two Handle Tub Fittings



Features:

- Compression stems
- Body cast of high copper content brass
- Exposed parts have heavy chrome plated finish
- Working parts can be easily replaced
- 1/2" I.P.S. or 1/2" nominal copper sweat connections
- 8" centers with threaded escutcheons
- ADA compliant metal handles operate with less than 5 lbs. force
- Zinc die cast tub spout
- Brass plug for shower outlet



Standards & Certifications:

- ANSI/ASME A112.18.1M
- ANSI A117.1 (ADA)
- IAPMO/cUPC
- MASS code

Catalog Numbers:

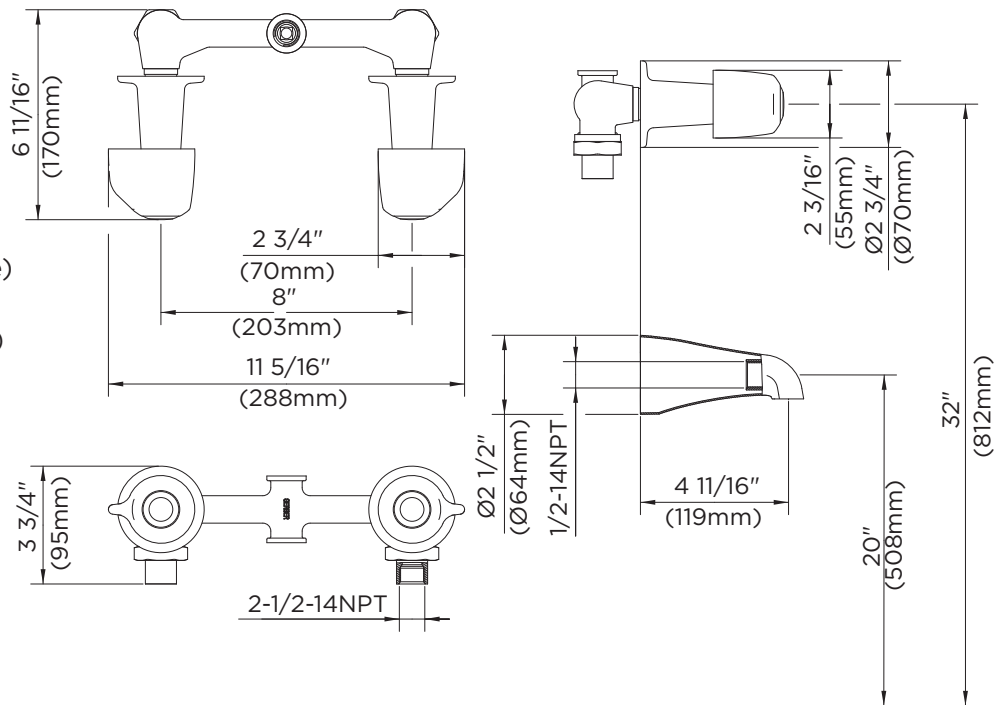
- 48-810** IPS/Sweat (Chrome)
- 48-811** Sweat (Chrome)
- 07-48-810** IPS/Sweat(Chrome)

Prefixes Available:

07-Metal Fluted Handles

Suffixes Available:

None



Job Name	
Date	
Model Specified	
Quantity	
Customer	
Contractor	
Architect/engineer	

Gerber Toll Free Technical Support: 888-648-6466
www.gerberonline.com