




# GERBER

## 48-220 Series Gerber Classics Two Handle Shower Fittings



### Features:

- Compression stems
- Body cast of high copper content brass
- By-Pass valve body complete with integral stops available
- Exposed parts have heavy chrome plated finish
- Working parts can be easily replaced
- Single function showerhead 49-107 at max. 2.0GPM (7.6LPM) WaterSense listed 
- 1/2" I.P.S. or Sweat water inlet connections
- 8" centers with sliding sleeve escutcheons or threaded escutcheons
- ADA compliant metal handles operate with less than 5 lbs. force
- Brass plug for tub filler outlet

### Standards & Certifications:

- ANSI/ASME A112.18.1M
- ANSI A117.1 (ADA)
- CSA B125

### Catalog Numbers:

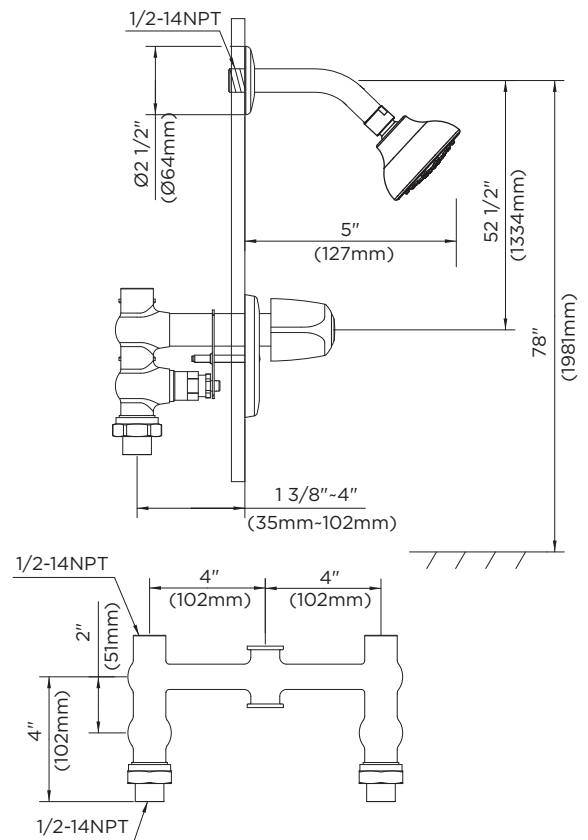
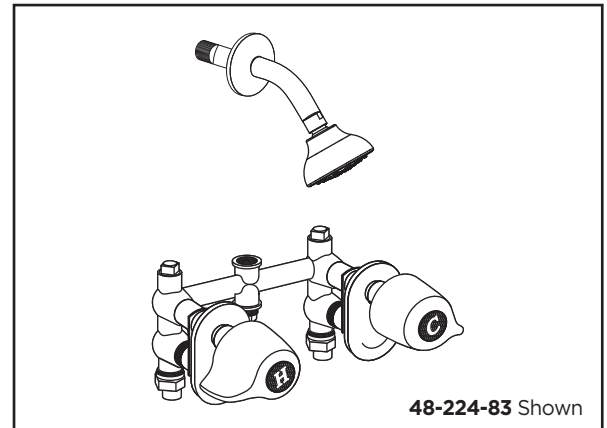
- 48-220** IPS/Sweat (Chrome), Metal Handles
- 07-48-220** IPS/Sweat (Chrome), Metal Fluted Handles
- 48-221** Sweat (Chrome), Metal Handles
- 07-48-221** Sweat (Chrome), Metal Fluted Handles
- 48-220-83** IPS/Sweat (Chrome), Metal Handles
- 48-220-83-G** IPS/Sweat (Chrome), Metal Handles
- 07-48-220-83** IPS/Sweat (Chrome), Metal Fluted Handles
- 07-48-220-83-G** IPS/Sweat (Chrome), Metal Fluted Handles
- 48-221-83** Sweat (Chrome), Metal Handles
- 07-48-221-83** Sweat (Chrome), Metal Fluted Handles
- 48-224-83** IPS/Sweat (Chrome), Metal Handles

### Prefixes Available:

07- Metal Fluted Handles

### Suffixes Available:

-83 Sliding Sleeve Escutcheon



Job Name	
Date	
Model Specified	
Quantity	
Customer	
Contractor	
Architect/engineer	

Gerber Toll Free Technical Support: 888-648-6466  
www.gerberonline.com