

## SPECIFICATIONS



G0048030

### Features/Benefits

- Diverter on Three Handle Valve Center
- Threaded Spout
- Includes Cast Brass Valve Body on 8" Center with Sliding Sleeve Escutcheon or Threaded Escutcheon
- Includes Compression Cartridges
- 1.75 gpm (6.6 L/min) Max Flow @ 80 psi
- Includes Viper® Single Function Showerhead G0049108
- 6" Threaded Shower Arm

### SKU# Numbers

G0048030	Tub & Shower, IPS/Sweat, Threaded Escutcheon
G004803083	Tub & Shower, IPS/Sweat, Sliding Sleeve Escutcheon
G0748030	Tub & Shower, IPS/Sweat, Threaded Escutcheon
G074803083	Tub & Shower, IPS/Sweat, Sliding Sleeve Escutcheon
G0048031	Tub & Shower, Sweat, Threaded Escutcheon
G004803183	Tub & Shower, Sweat, Sliding Sleeve Escutcheon
G0748031	Tub & Shower, Sweat, Threaded Escutcheon
G074803183	Tub & Shower, Sweat, Sliding Sleeve Escutcheon


### Prefixes Available

07- Metal Fluted Handle

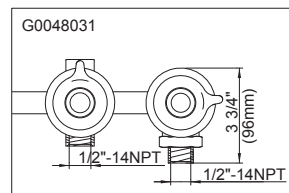
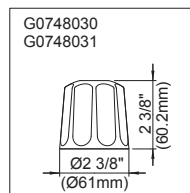
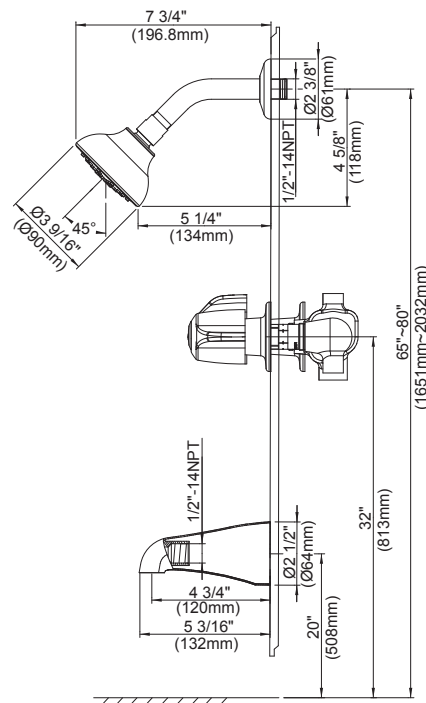
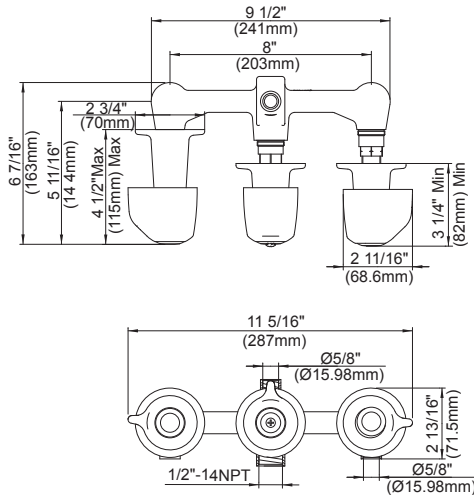
### Suffixes Available

-83 Sliding Sleeve Escutcheon

### Available Color/Finishes

 Chrome  
Please see gerber-us.com or current price list for available finishes. Finish is defined by additional suffix.

### Standards & Certifications



### Submittal Information:

Name: \_\_\_\_\_ Contractor: \_\_\_\_\_  
Location: \_\_\_\_\_ Contact #: \_\_\_\_\_