

SPECIFICATIONS



Features/Benefits

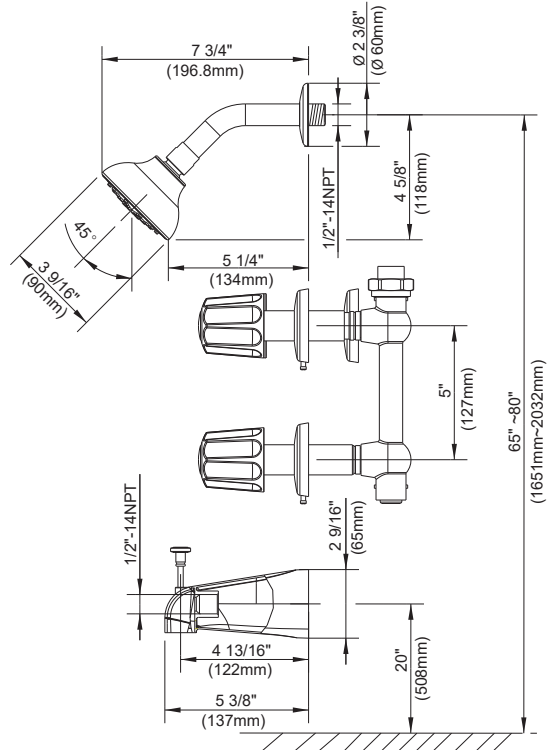
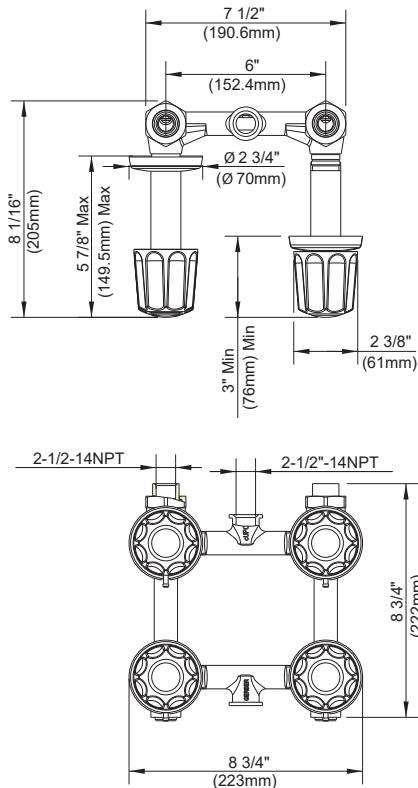
- Includes Cast Brass Valve Body on 6" Centers with Sliding Sleeve Escutcheon
- Includes Compression Cartridges
- 1.75 gpm (6.6 L/min) Max Flow @ 80 psi (G0049108)
- 2.0 gpm (7.6 L/min) Max Flow @ 80 psi (G0049107)
- 6" Threaded Shower Arm
- Threaded Spout

Available Color/Finishes

Chrome

Please see gerber-us.com or current price list for available finishes.
Finish is defined by additional suffix.

Standards & Certifications



Submittal Information:

Name: _____
Location: _____

Contractor: _____
Contact #: _____