

SPECIFICATIONS

Features/Benefits



G0043431

- 1.2 gpm (4.5 L/min) Max Flow @ 60 psi with Aerated Water Stream
- 2 11/16" Spout Height, 4 5/8" Spout Reach
- Compression Cartridges
- Includes Metal Pop-Up Drain Assembly
- 3-Hole Installation
- Includes Temperature Indicators

Drain Type

G0043431	Metal Handle, with Metal Pop-Up Drain Assembly
G0743431	Metal Fluted Blade Handle, with Metal Pop-Up Drain Assembly
G0043411	Metal Fluted Blade Handle, without Drain, with Chain Stay
G004341166	Wrist Blade Handle, without Drain, with Chain Stay
G004341165	Metal Handle, without Drain
G074341165	Metal Fluted Blade Handle, without Drain

Prefixes Available

07- Metal Fluted Blade Handle

Suffixes Available

-65 With Button
-66 Wrist Blade Handle

Mount Type



Available Color/Finishes

Chrome

Please see gerber.com or current price list for available finishes. Finish is defined by additional suffix.

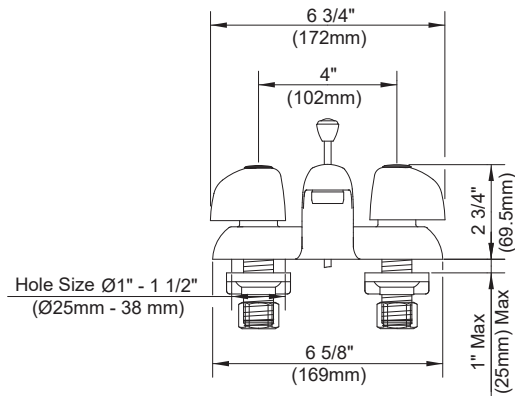
Standards & Certifications



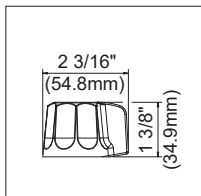
NSF/ANSI 372



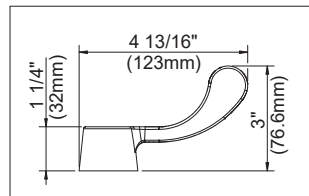
(Lever Handle)



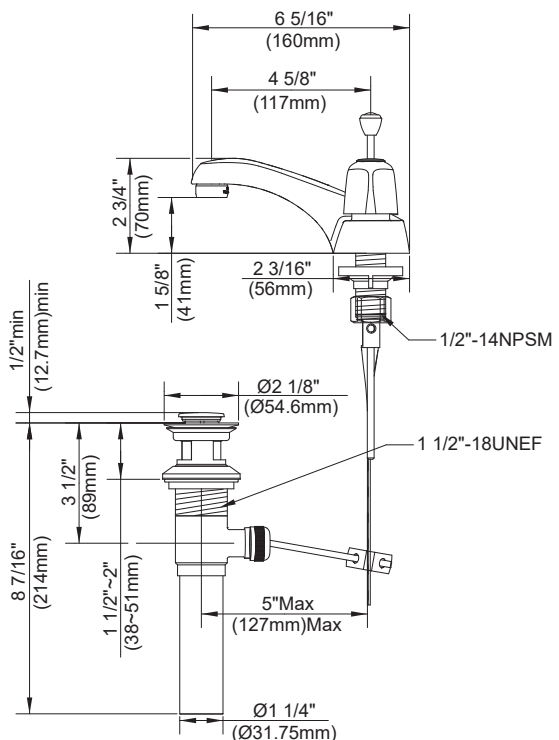
Hole Size \varnothing 1" - 1 1/2"
(\varnothing 25mm - 38 mm)



G0743431
G0043411
G074341165



G004341166



Submittal Information:

Name: _____
Location: _____

Contractor: _____
Contact #: _____