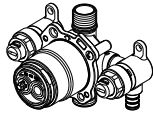
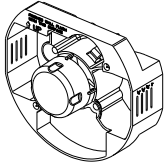


Tub and Shower Faucet Rough-In Valve Assembly

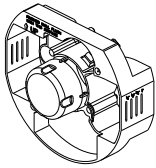
SPECIFICATIONS

Use with trim kits for: **GERBER** **danze™**
by GERBER

Features/Benefits



GS-525-S
(G00GS525S)



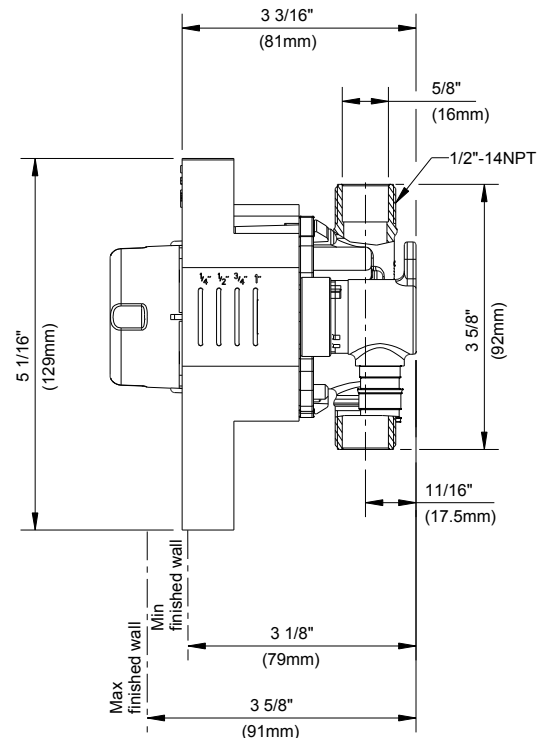
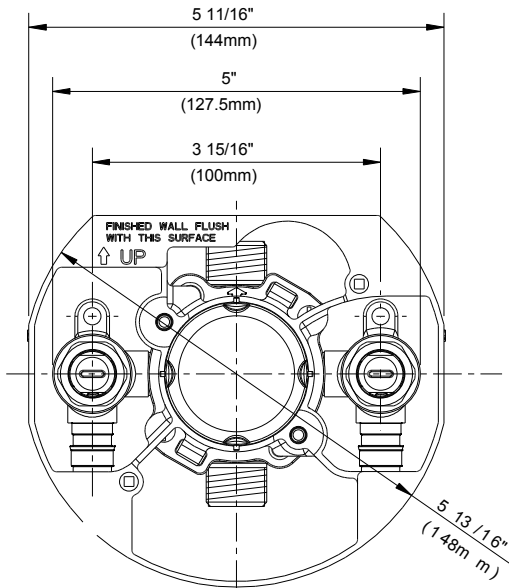
GS-527-S
(G00GS527S)

- Includes forged valve body, plaster guard and innovative pressure test cap
- Connection Type:
GS-525-S: 1/2" F1807 (crimp) PEX inlets, 1/2" IPS/sweat outlets
GS-527-S: 1/2" F1960 (cold expansion) PEX inlets, 1/2" IPS/sweat outlets
- Includes 1/4 turn service stops
- Installed rough-in can be pressure tested to 150PSI (air or water), mixed or isolated inlets, using included pressure test plug
- Accommodates standard, back-to-back, and thin wall installations
- Integrated, easy-access mounting system
- Treysta cartridge ships with trim, sold separately

Catalog Numbers

GS-525-S (G00GS525S) F1807 inlets with stops
GS-527-S (G00GS527S) F1960 inlets with stops

Standards & Certifications



Submittal Information:

Name: _____
Location: _____

Contractor: _____
Contact #: _____