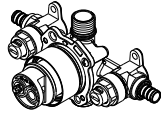
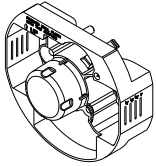


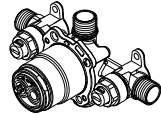
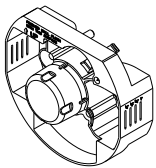
**Tub and Shower Faucet Rough-In Valve Assembly**

**SPECIFICATIONS**

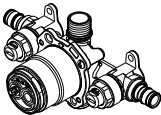
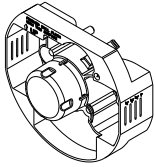
Use with trim kits for:



**GS-504-S**  
(G00GS504S)



**GS-505-S**  
(G00GS505S)



**GS-507-S**  
(G00GS507S)

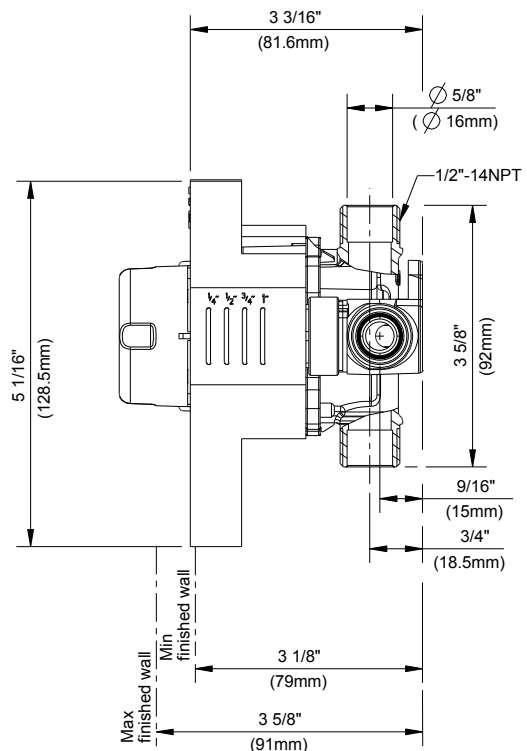
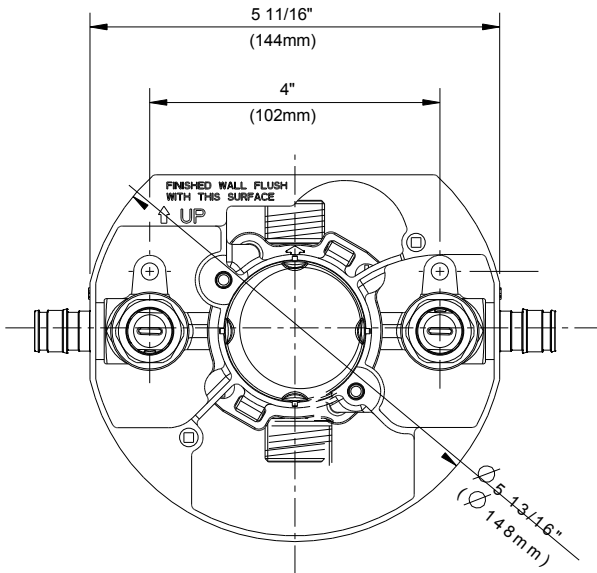
**Features/Benefits**

- Includes forged valve body, plaster guard and innovative pressure test cap
- Connection Type:  
GS-504-S: 1/2" F1807 (crimp) PEX inlets, 1/2" IPS/sweat outlets  
GS-505-S: 1/2" IPS/sweat inlets, 1/2" IPS/sweat outlets  
GS-507-S: 1/2" F1960 (cold expansion) PEX inlets, 1/2" IPS/sweat outlets
- Includes 1/4 turn service stops
- Installed rough-in can be pressure tested to 150PSI (air or water), mixed or isolated inlets, using included pressure test plug
- Accommodates standard, back-to-back, and thin wall installations
- Integrated, easy-access mounting system
- Treysta cartridge ships with trim, sold separately

**Catalog Numbers**

- GS-504-S (G00GS504S) F1807 inlets with stops  
 GS-505-S (G00GS505S) IPS/sweat inlets with stops  
 GS-507-S (G00GS507S) F1960 inlets with stops

**Standards & Certifications**



**Submittal Information:**

Name: \_\_\_\_\_  
 Location: \_\_\_\_\_

Contractor: \_\_\_\_\_  
 Contact #: \_\_\_\_\_