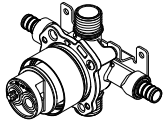
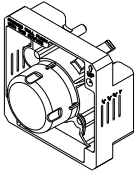


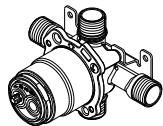
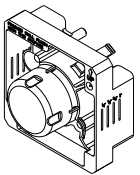
Tub and Shower Faucet Rough-In Valve Assembly

SPECIFICATIONS

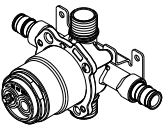
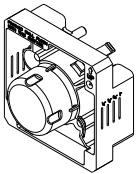
Use with trim kits for:



GS-504
(G00GS504)



GS-505
(G00GS505)



GS-507
(G00GS507)

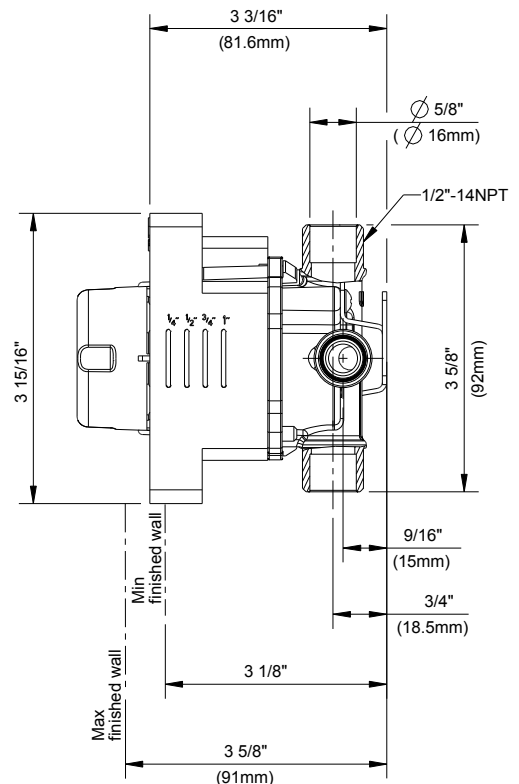
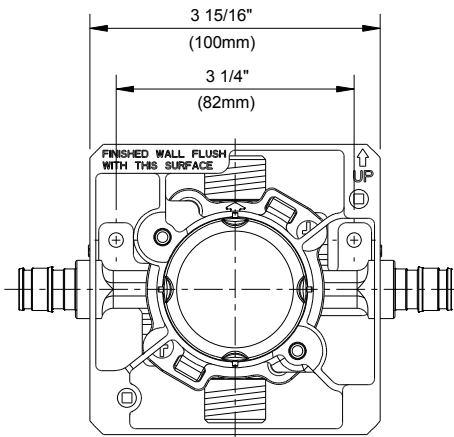
Features/Benefits

- Includes forged valve body, plaster guard and innovative pressure test cap
- Connection Type:
GS-504: 1/2" F1807 (crimp) PEX inlets, 1/2" IPS/sweat outlets
GS-505: 1/2" IPS/sweat inlets, 1/2" IPS/sweat outlets
GS-507: 1/2" F1960 (cold expansion) PEX inlets, 1/2" IPS/sweat outlets
- Installed rough-in can be pressure tested to 150PSI (air or water), mixed or isolated inlets, using included pressure test plug
- Accommodates standard, back-to-back, and thin wall installations
- Integrated, easy-access mounting system
- Treysta cartridge ships with trim, sold separately

Catalog Numbers

- | | |
|-------------------|----------------------------|
| GS-504 (G00GS504) | F1807 inlets w/o stops |
| GS-505 (G00GS505) | IPS/sweat inlets w/o stops |
| GS-507 (G00GS507) | F1960 inlets w/o stops |

Standards & Certifications



Submittal Information:

Name: _____
Location: _____

Contractor: _____
Contact #: _____