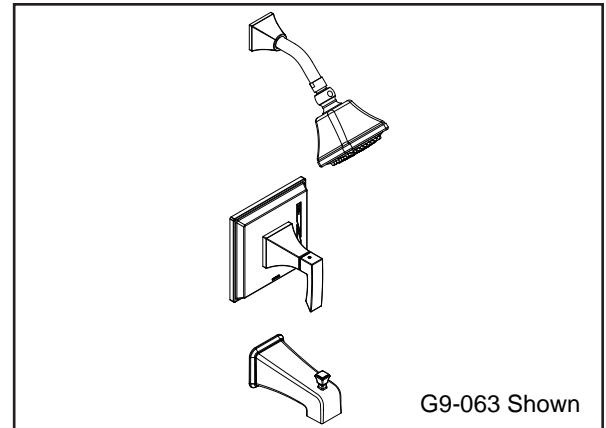




Features:

- Transitional styling
- 4" faceplate
- Shower at 2.5 gpm @ 80 psi
- Chrome and brushed nickel finishes
- Fit on Gerber PLUS™ washerless valves GS-315 series and ceramic valves GH-301, GH-305
- Single function showerhead
- Back to back capability
- 5 1/2" tub spout length
- Diverter tub spout in thread/slip combination
- Fully ADA compliant
- Limited lifetime warranty



Standards & Certifications:

- ASME A112.18.1M
- ANSI A117.1
- IAPMO/cUPC
- Mass Code

Catalog Numbers:

- G9-060** Single Handle and Flange Trim Kit, Chrome
- G9-060-BN** Single Handle and Flange Trim Kit, Brushed Nickel
- G9-062** Single Handle Shower Only Trim Kit, Chrome
- G9-062-BN** Single Handle Shower Only Trim Kit, Brushed Nickel
- G9-063** Single Handle Tub/Shower Trim Kit, Chrome
- G9-063-BN** Single Handle Tub/Shower Trim Kit, Brushed Nickel

Prefixes Available:

None

Suffixes Available:

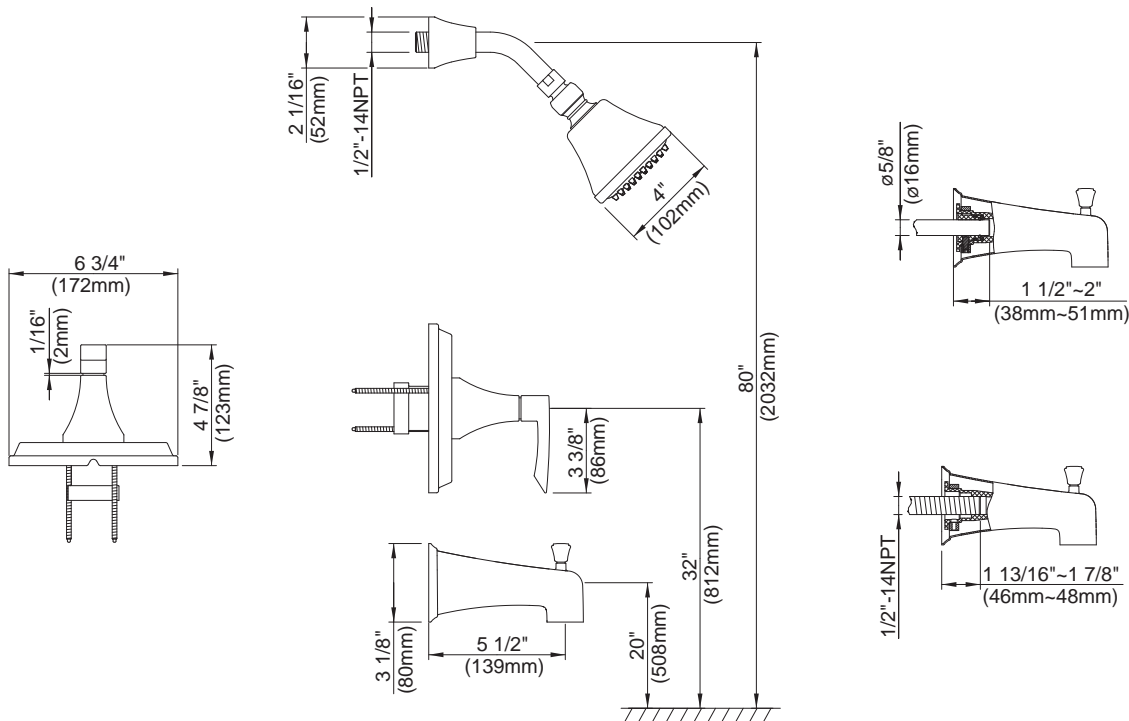
None

Job Name	
Date	
Model Specified	
Quantity	
Customer	
Contractor	
Architect/engineer	



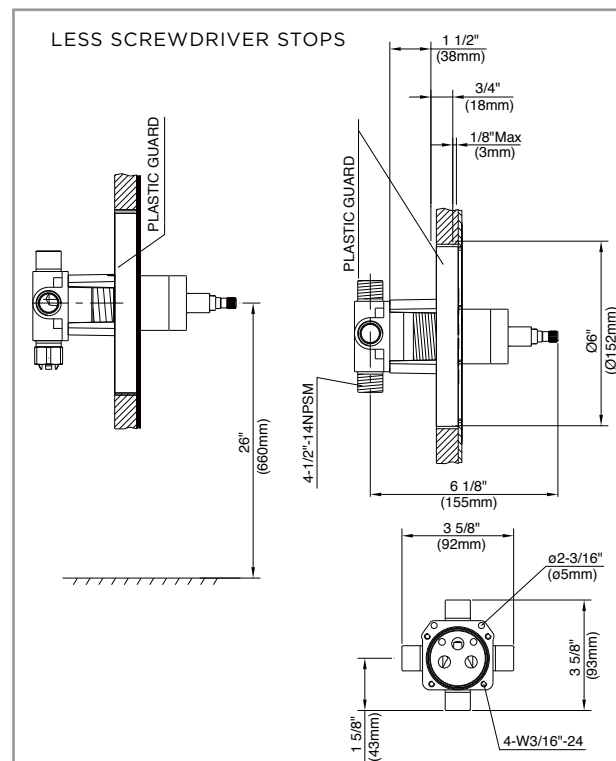
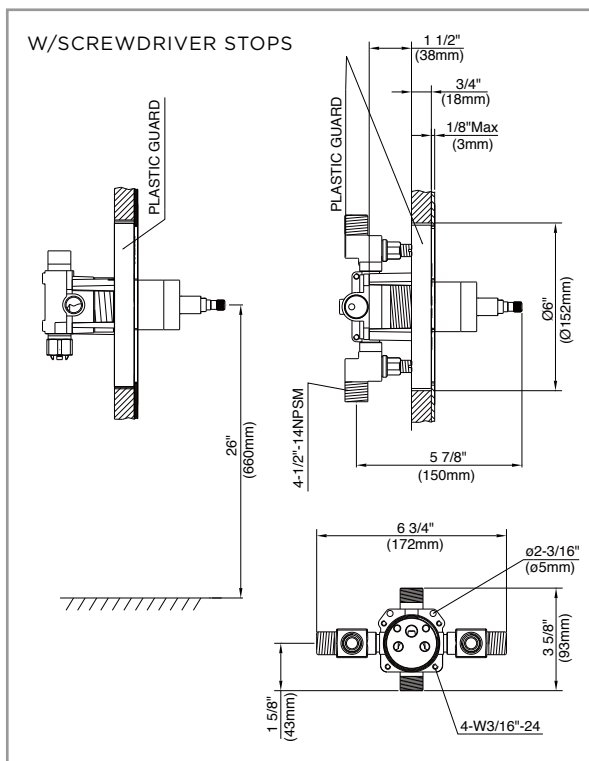
GERBER

Logan Square™ Tub/Shower Fitting



SINGLE HANDLE PRESSURE BALANCE TUB & SHOWER VALVES

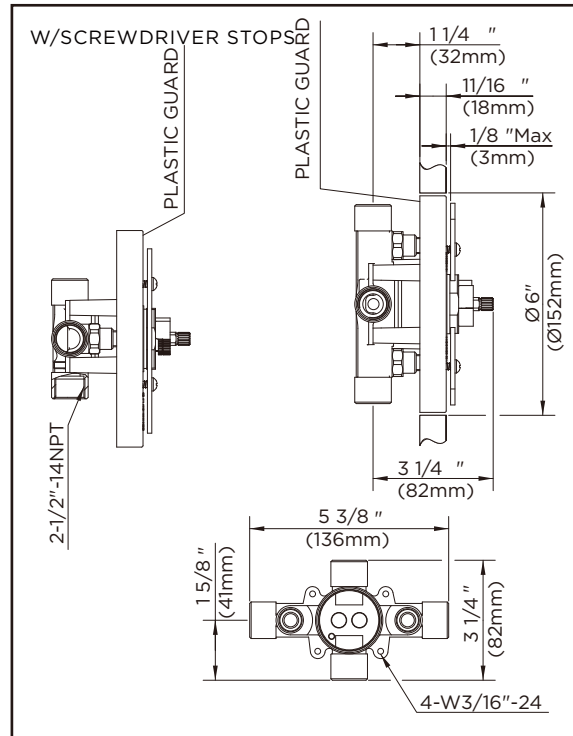
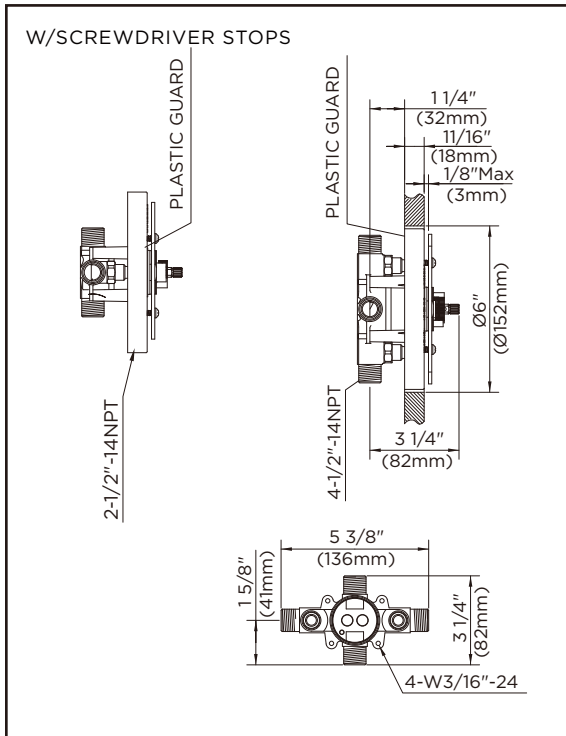
Critical Dimensions : Rough-in valve GH-305 (w/stops) & GH-301 (Less stops)





GERBER PLUS VALVES

Critical Dimensions : Rough-in valve GS-315 (PK) (w/stops) & GS-313-PK (w/stops)



Critical Dimensions : Rough-in valve GS-314-PK (w/stops) & GS-317-PK (w/stops)

