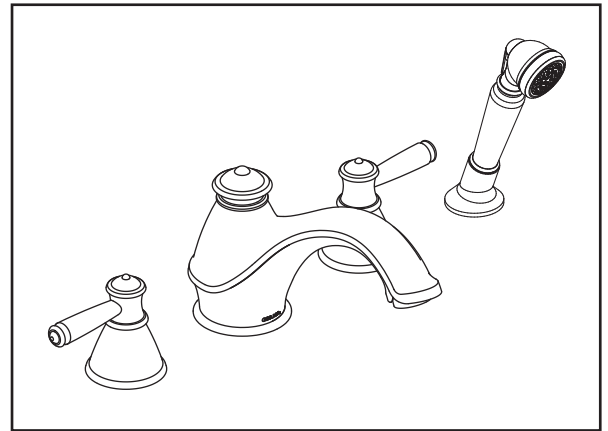




Features:

- Traditional styling
- Ceramic disc cartridges
- Chrome and Brushed Nickel finishes
- High arc spout
- Solid brass lever handles
- Fully ADA compliant
- Limited Lifetime Warranty



Standards & Certifications:

- ASME A112.18.1M
- ANSI A117.1
- CSA B125
- IAPMO/cUPC
- Mass Code

Catalog Numbers:

- G8-308** Roman tub filler trim kit, 3pc, Chrome
- G8-308-BN** Roman tub filler trim kit, 3pc, Brushed Nickel
- 49-181** Hand shower trim, less holder
- 49-181-BN** Hand shower trim, less holder
- 97-578** Hand shower rough in, hose and holder
- 97-578-BN** Hand shower rough in, hose and holder
- GH-400** Roman tub filler underbodies, 10" rough-in
- GH-400-PK** Roman tub filler underbodies, 10" rough-in
- GH-410** Roman tub filler underbodies
- GH-410-PK** Roman tub filler underbodies

Prefixes Available:

None

Suffixes Available:

None

Job Name	
Date	
Model Specified	
Quantity	
Customer	
Contractor	
Architect/engineer	

