

SPECIFICATIONS

Features/Benefits

- Diverter on Three Handle Valve Center
- Includes Cast Brass Valve Body on 8" Center with Sliding Sleeve Escutcheon or Threaded Escutcheon
- Includes Ceramic Disc Cartridges
- 1.75 gpm (6.6 L/min) Max Flow @ 80 psi (G0049108)
- 6" Threaded Shower Arm
- Threaded & Slip Spout
- Includes Three Gerber Hardwater® Handles
- Includes Valve Body, Cartridges & Trim

SKU# Numbers

G0058500	Tub & Shower, IPS/Sweat, Threaded Escutcheon
G005850081	Tub & Shower, IPS/Sweat, Threaded Escutcheon
G0058510	Tub & Shower, Sweat, Threaded Escutcheon
G005851081	Tub & Shower, Sweat, Threaded Escutcheon
G0058520	Tub & Shower, IPS/Sweat, Sliding Sleeve Escutcheon
G005852081	Tub & Shower, IPS/Sweat, Sliding Sleeve Escutcheon



G0058500

Prefixes Available

None

Suffixes Available

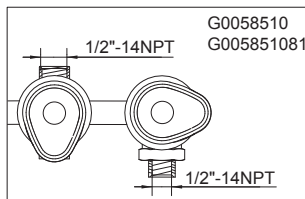
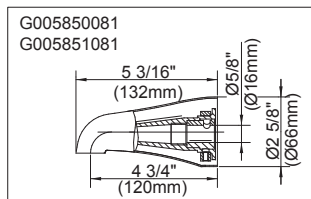
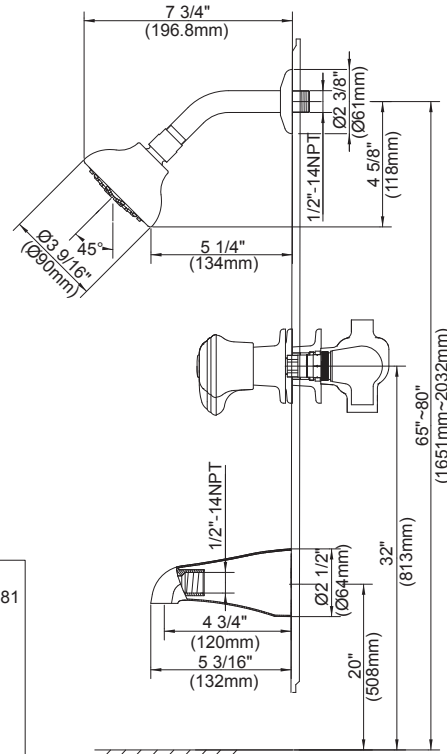
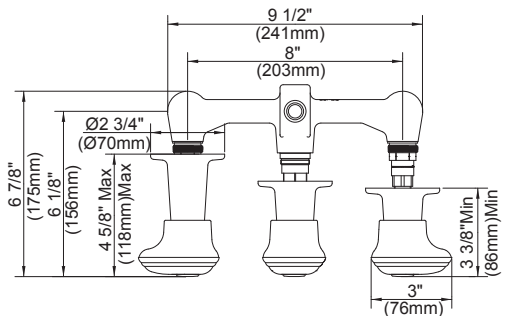
-81 Slip Spout Tub Filler

Available Color/Finishes

Chrome

Please see gerber-us.com or current price list for available finishes. Finish is defined by additional suffix.

Standards & Certifications



Submittal Information:

Name: _____

Contractor: _____

Location: _____

Contact #: _____