

SPECIFICATIONS



Features/Benefits

- Diverter on Tub Spout
- Requires Gerber Safetemp® Pressure Balance Valve Rough-In
- Includes Washerless Pressure Balance Cartridge
- 1.75 gpm (6.6 L/min) Max Flow @ 80 psi (G0049108)
- 2.0 gpm (7.6 L/min) Max Flow @ 80 psi (G0049107)
- 6" Metal Shower Arm
- 4 3/4" Tub Spout (G0092573)
- Includes Trim/Valve

SKU# Numbers

G0049730	Without Stops, IPS
G0049731	Without Stops, Sweat
G0049733	With Stop

Available Color/Finishes

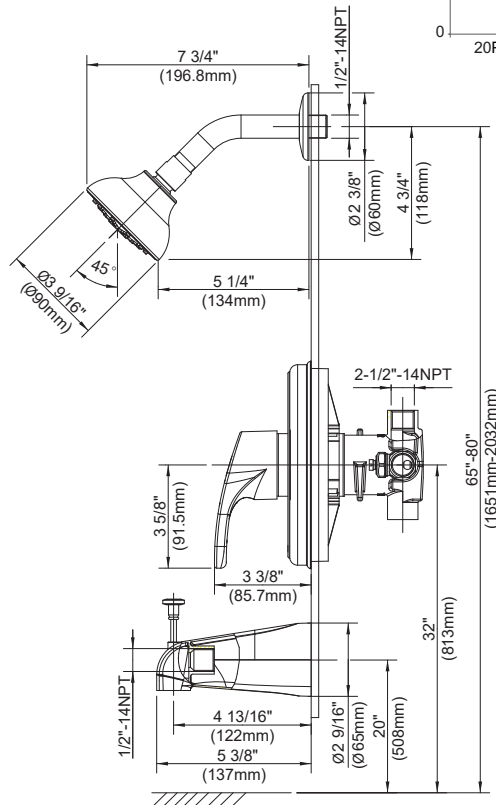
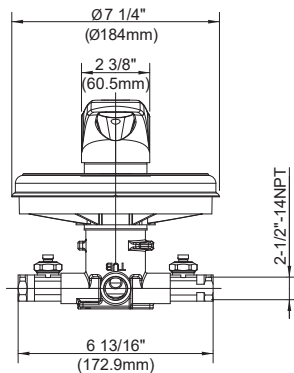
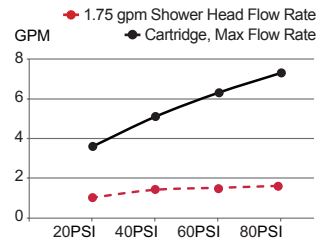
Chrome

Please see gerber-us.com or current price list for available finishes. Finish is defined by additional suffix.

Standards & Certifications



Flow Rate



Submittal Information:

Name: _____
 Location: _____

Contractor: _____
 Contact #: _____