



Roman Tub Hand Shower

Features:

- Metal base construction
- Chrome or brushed nickel finish available
- Max deck thickness 2 1/2"
- Hose length 72 1/16"
- 2.5 GPM (9.3 LPM) maximum @ 80 psi

Standards & Certifications:

None

Catalog Numbers:

- 49-206** Hand held shower assembly, with base, Chrome
- 49-206-BN** Hand held shower assembly, with base, Brushed nickel
- 49-186** Hand held shower only, Chrome
- 49-186-BN** Hand held shower only, Brushed nickel

Prefixes Available:

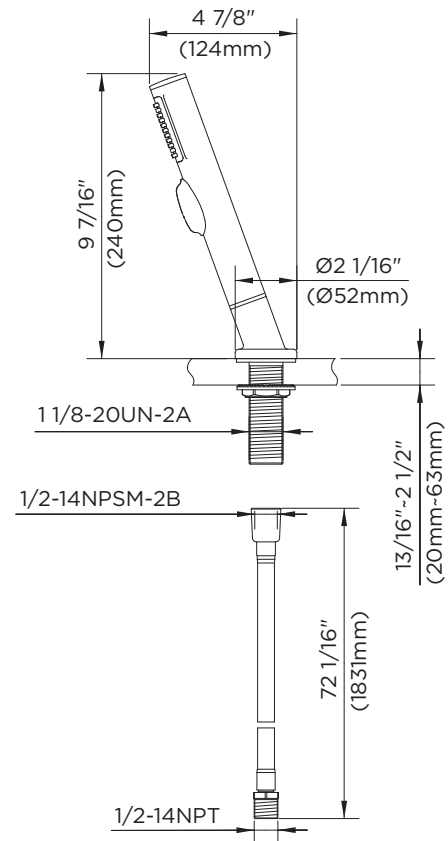
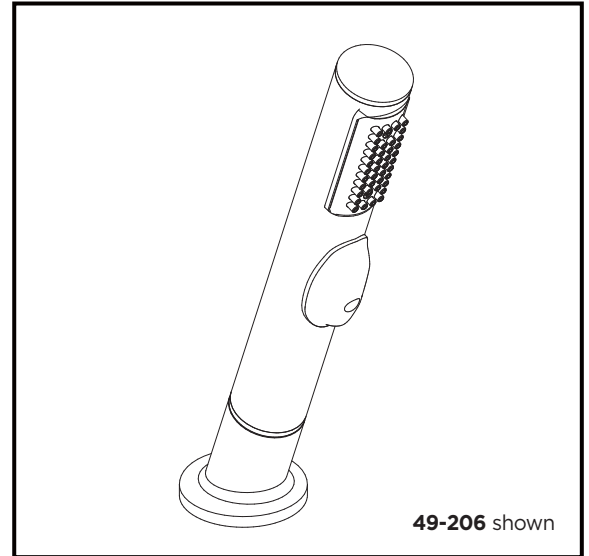
None

Suffixes Available:

None

Used in Faucet:

- 97-626** Handle shower rough in, hose and holder, Chrome
- 97-626-BN** Handle shower rough in, hose and holder, Brushed nickel



| | |
|--------------------|--|
| Job Name | |
| Date | |
| Model Specified | |
| Quantity | |
| Customer | |
| Contractor | |
| Architect/engineer | |