



## Roman Tub Hand Shower

### Features:

- Metal base construction
- Chrome, brushed nickel or oil rubbed bronze finish available
- Max deck thickness 2 1/2"
- Hose length 72 1/16"
- 2.5 GPM (9.3 LPM) maximum @ 80 psi

### Standards & Certifications:

None

### Catalog Numbers:

- 49-204** Hand held shower assembly, with base, Chrome
- 49-204-BN** Hand held shower assembly, with base, Brushed nickel
- 49-204-RB** Hand held shower assembly, with base, Oil rubbed bronze
- 49-181** Hand held shower only, Chrome
- 49-181-BN** Hand held shower only, Brushed nickel
- 49-181-RB** Hand held shower only, Oil rubbed bronze

### Prefixes Available:

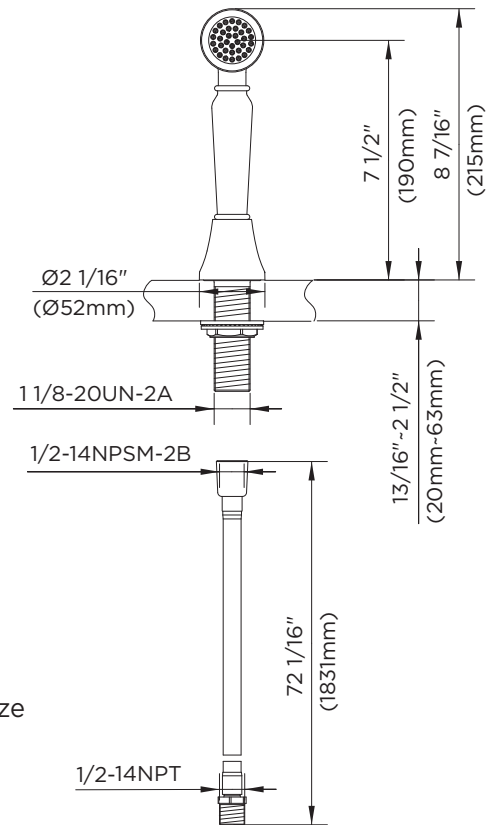
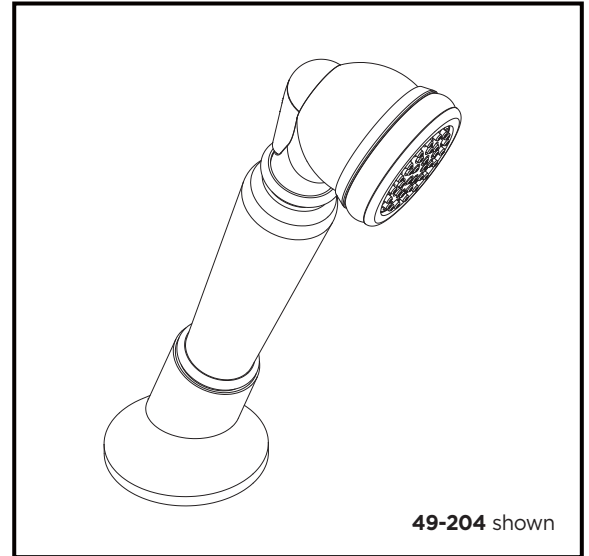
None

### Suffixes Available:

None

### Used in Faucet:

- 97-578** Handle shower rough in, hose and holder, Chrome
- 97-578-BN** Handle shower rough in, hose and holder, Brushed nickel
- 97-578-RB** Handle shower rough in, hose and holder, Oil rubbed bronze



Job Name	
Date	
Model Specified	
Quantity	
Customer	
Contractor	
Architect/engineer	