



Features:

- 2 3/4" faceplate
- Plastic construction with solid brass ball joint
- Single function
- 2.5 gpm (9.3 L/min) maximum @ 80 psi
- Chrome or brushed nickel finish available

Standards & Certifications:

None

Catalog Numbers:

- 49-193** Chrome
49-193-BN Brushed Nickel

Prefixes Available:

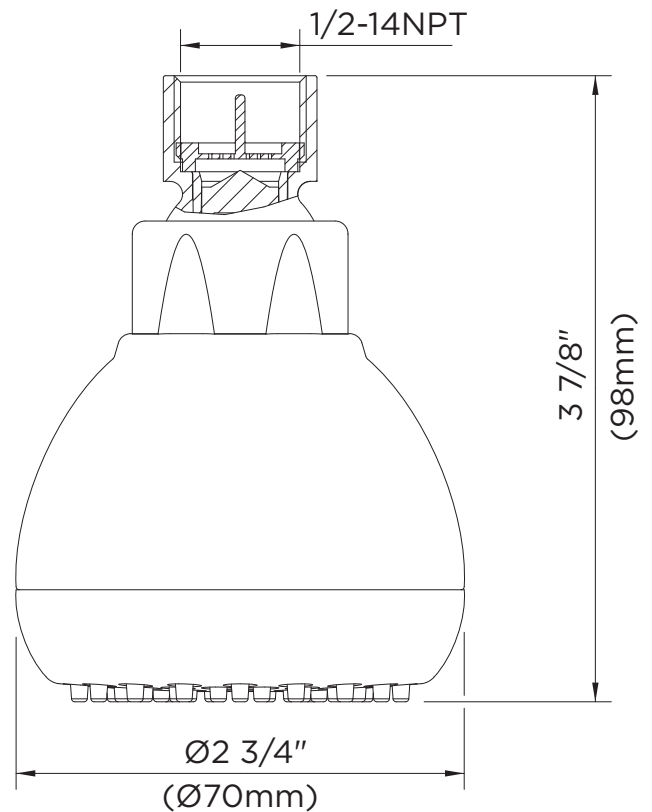
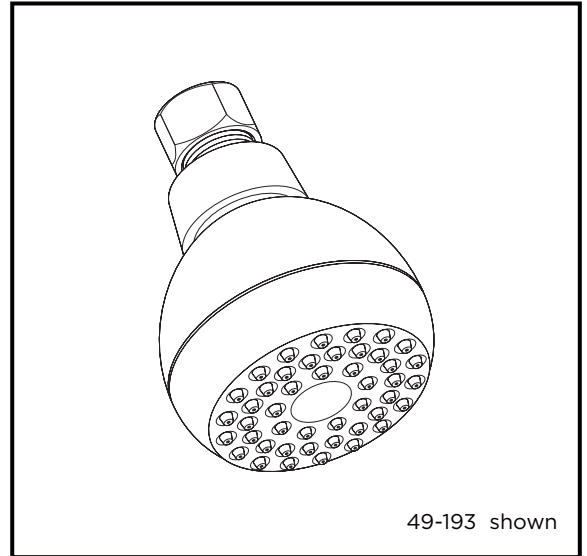
None

Suffixes Available:

- BN** Brushed Nickel

Used In Faucet :

- G9-072
- G9-072-BN
- G9-073
- G9-073-BN
- G9-102
- G9-102-BN
- G9-103
- G9-103-BN
- G9-092
- G9-092-BN
- G9-093
- G9-093-BN
- G9-320
- G9-320-BN
- G9-330



Job Name	
Date	
Model Specified	
Quantity	
Customer	
Contractor	
Architect/engineer	

Gerber Toll Free Technical Support: 888-648-6466
www.gerberonline.com