

**Features:**

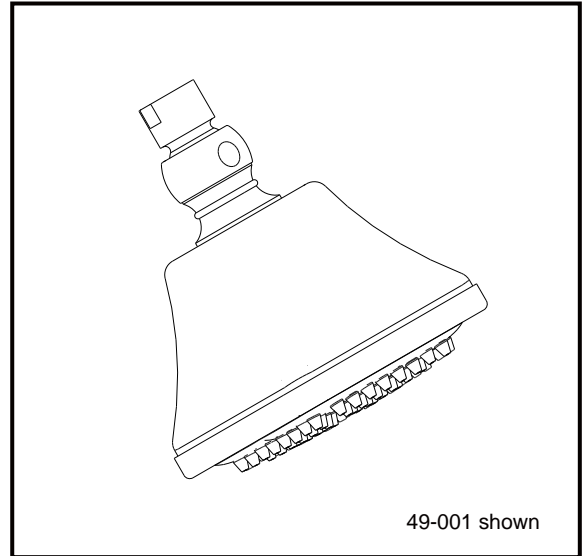
- 4" faceplate
- Solid brass construction
- Single function
- 2.5 GPM (9.3 LPM) maximum @ 80 psi
- Chrome or brushed nickel finish available

Standards & Certifications:

None

Catalog Numbers:

- 49-001** Chrome
49-001-BN Brushed Nickel

**Prefixes Available:**

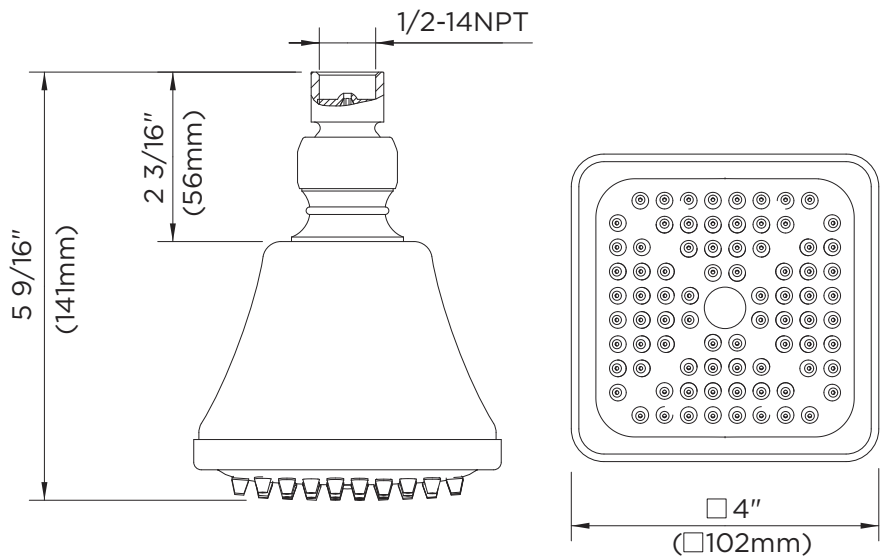
None

Suffixes Available:

None

Used In Faucet :

- G9-062
 G9-062-BN
 G9-063
 G9-063-BN



Job Name	
Date	
Model Specified	
Quantity	
Customer	
Contractor	
Architect/engineer	

Gerber Toll Free Technical Support: 888-648-6466
www.gerberonline.com