




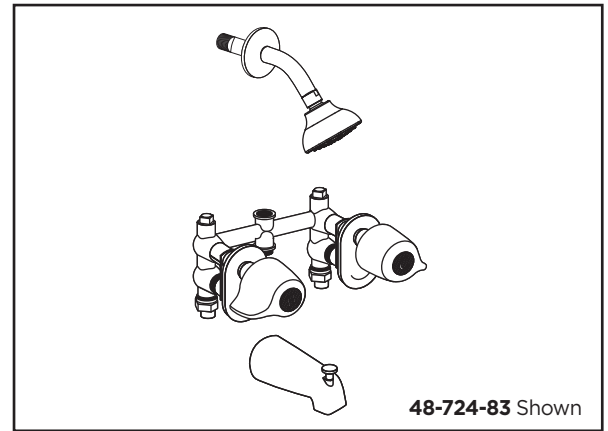
# GERBER

## 48-724-83 Series Gerber Classics Two Handle Tub & Shower Fittings



### Features:

- Compression stems
- Body cast of high copper content brass
- By-pass valve body complete with integral stops
- Exposed parts have heavy chrome plate finish
- Working parts can easily be replaced
- Single function showerhead 49-107 at max. 2.0GPM (7.6LPM) WaterSense listed 
- 1/2" I.P.S. or Sweat water inlet connections
- 8" Centers with sliding sleeve escutcheons
- ADA compliant metal handles operate with less than 5 lbs. force
- Zinc die cast spout with internal diverter (Ejector Tee)



### Standards & Certifications:

- ANSI/ASME A112.18.1M
- ANSI A117.1 (ADA)
- CSA B125

### Catalog Numbers:

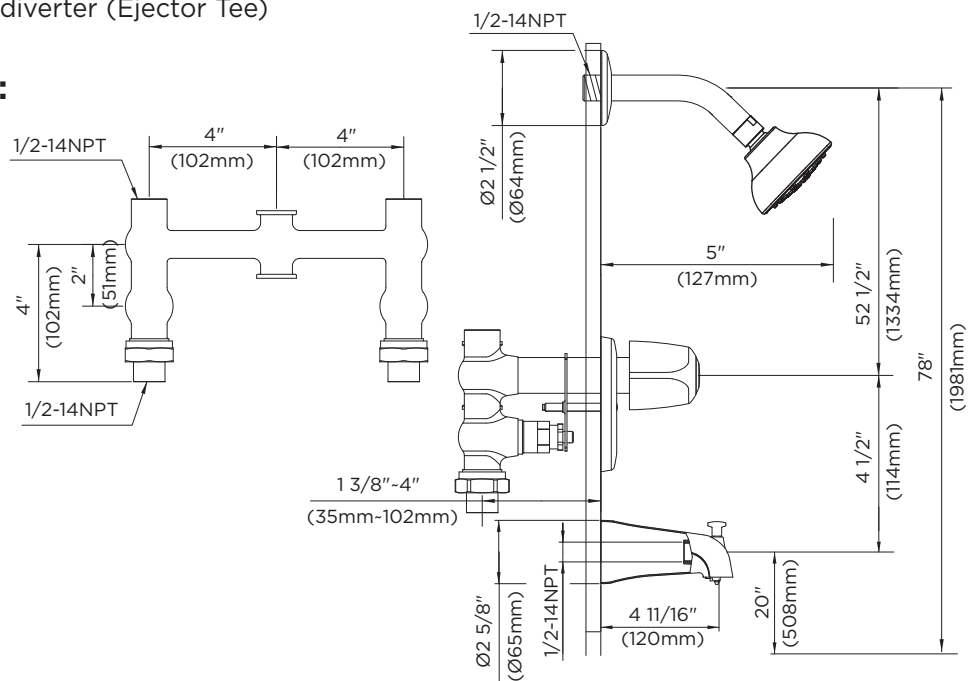
**48-724-83** IPS / Sweat Chrome

### Prefixes Available:

None

### Suffixes Available:

-83 Sliding Sleeve Escutcheon



Job Name	
Date	
Model Specified	
Quantity	
Customer	
Contractor	
Architect/engineer	

Gerber Toll Free Technical Support: 888-648-6466  
www.gerberonline.com