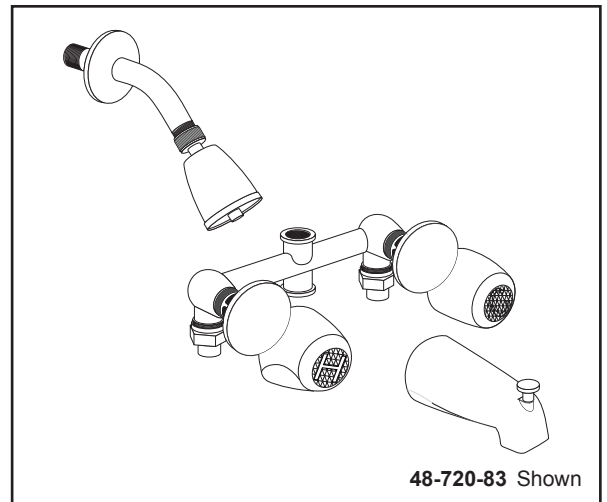


Features:

- Compression stems
- Body cast of high copper content brass
- Exposed parts have heavy chrome plated finish
- Working parts can be easily replaced
- 2.5 gpm (9.5 L/min) maximum showerhead @ 80 psi
- 1/2" I.P.S. or 1/2" nominal copper sweat connections
- 8" centers with sliding sleeve escutcheons
- ADA compliant metal handles operate with less than 5 lbs. force
- Zinc die cast spout with internal diverter (ejector tee)



Technical Specifications:

- ANSI/ASME A112.18.1M
- ANSI A117.1 (ADA)
- CSA B125

Catalog Numbers:

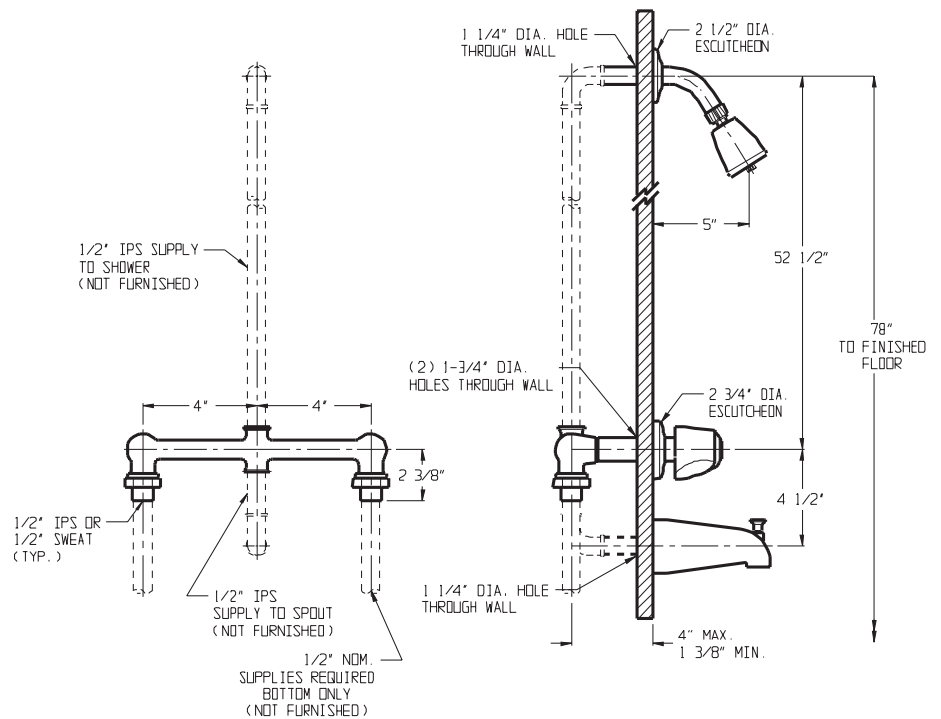
48-720-83 IPS/Sweat (Chrome)

Prefixes Available:

For ceramic cartridges, less handles, see 58-400 series

Suffixes Available:

-82 Slip tube diverter spout



Job Name	
Date	
Model Specified	
Quantity	
Customer	
Contractor	
Architect/engineer	

GERBER®

PROFESSIONAL PERFORMANCE

Gerber Toll Free Technical Support: 888-648-6466
www.gerberonline.com

