



Features:

- Chrome finish
- Brass construction
- 1/2" IPS female water supply connection
- For attachment of ADA shower system

Standards & Certifications:

None

Catalog Numbers:

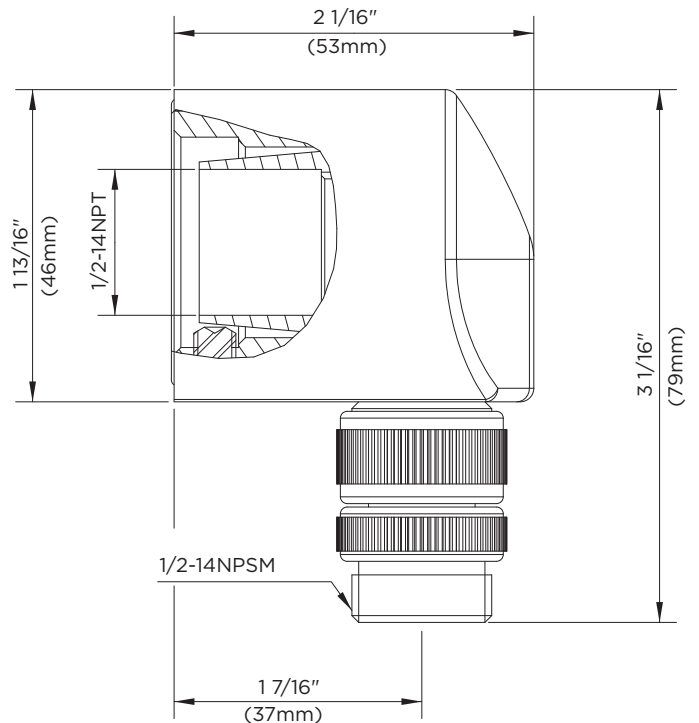
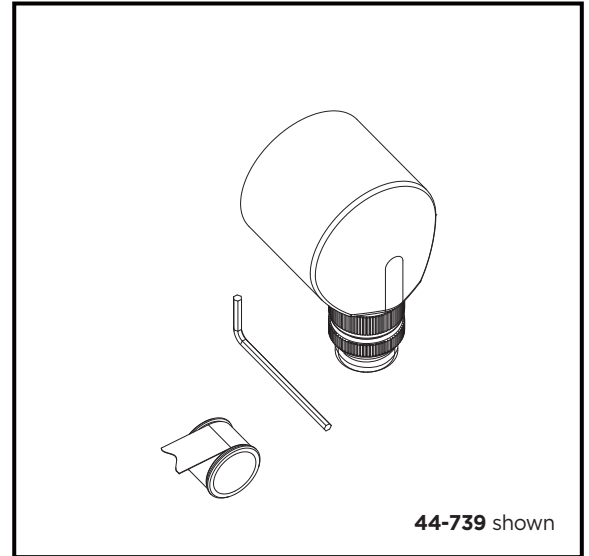
44-739 Shower elbow

Prefixes Available:

None

Suffixes Available:

None



Job Name	
Date	
Model Specified	
Quantity	
Customer	
Contractor	
Architect/engineer	