



# GERBER

## 43-199-W Series

### Maxwell® SE

## Two Handle Lavatory Faucet



NSF/ANSI 372



### Features:

- Three hole installation
- Washerless cartridges G0097497
- 4" center to center installation range
- Acrylic Handles
- Chrome finish
- 1.2 gpm (4.5 L/min) maximum aerator GA50096355N @ 60 psi
- Lead free waterway per NSF/ANSI 372
- Fully ADA compliant
- Limited lifetime warranty
- Meets CEC requirements

### Standards & Certifications:

- ASME A112.18.1M
- NSF/ANSI 372
- IAPMO/cUPC
- ICC/ANSI A117.1
- EPA/WaterSense Pending
- MASS Code

### Catalog Numbers:

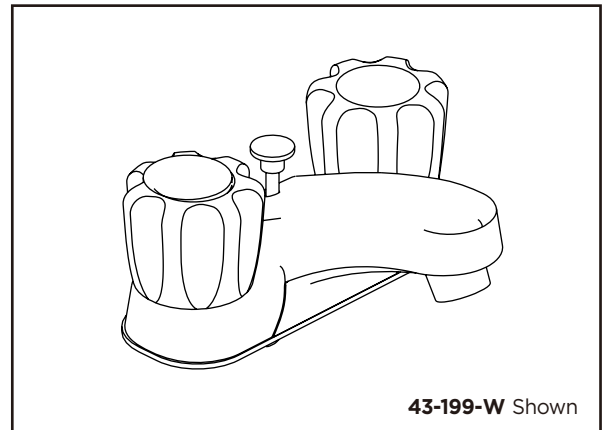
- 43-199-W** 50/50 Pop-Up, Chrome
- 43-190-W** Less drain, Chrome
- 43-191-W** Plastic Pop-Up drain, Chrome
- 43-192-W** Metal Pop-Up, Chrome
- 43-192-W-BN** Metal Pop-Up, Brushed Nickel

### Prefixes Available:

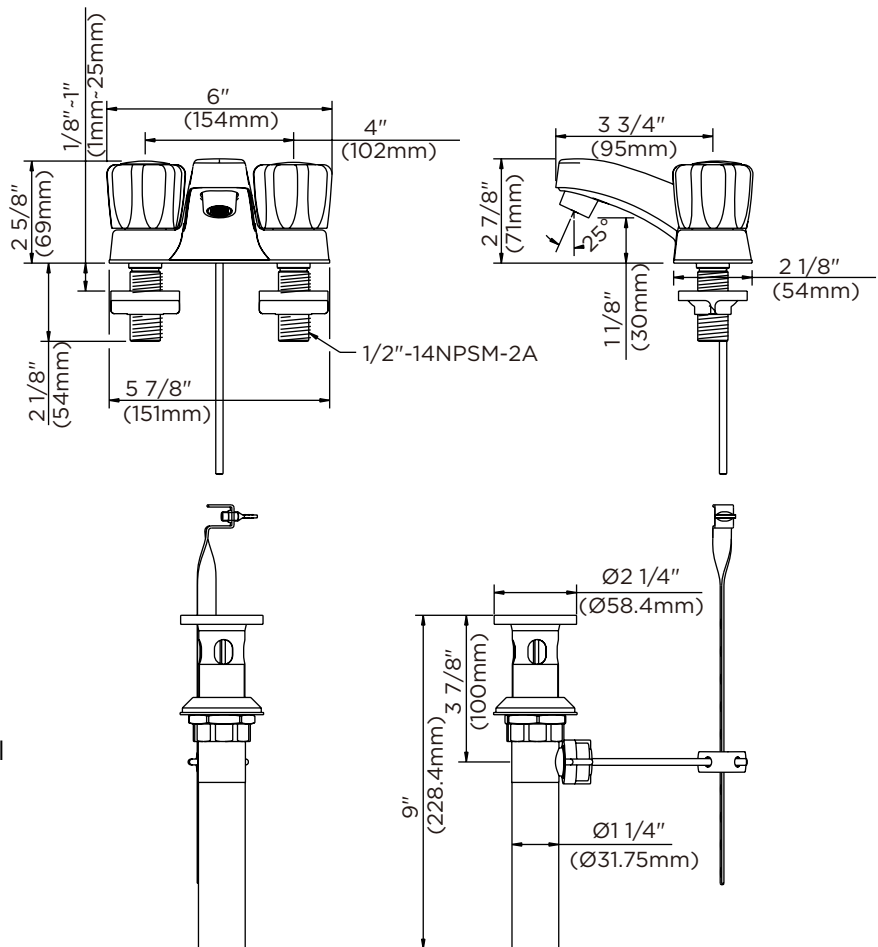
None

### Suffixes Available:

- W** Washerless
- BN** Brushed Nickel



43-199-W Shown



Job Name	
Date	
Model Specified	
Quantity	
Customer	
Contractor	
Architect/engineer	

Gerber Toll Free Technical Support: 888-648-6466  
www.gerberonline.com