



GERBER

43-153-W Maxwell® SE

Two Handle Lavatory Faucet

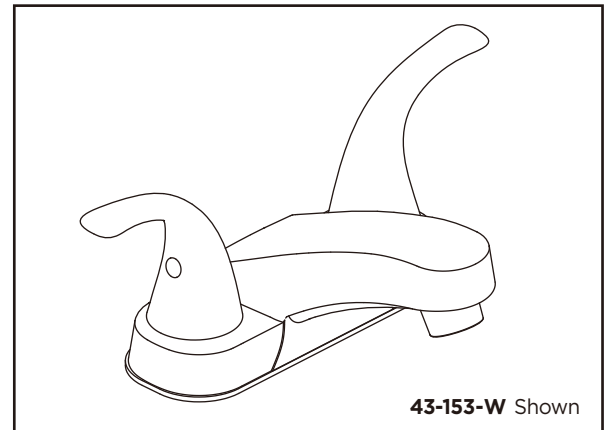


NSF/ANSI 372



Features:

- Three hole installation
- Washerless cartridges G0097497
- 4" center to center installation range
- Chrome & brushed nickel finish
- 1.2 gpm (4.5 L/min) maximum aerator GA50096355N @ 60 psi
- Lead free waterway per NSF/ANSI 372
- Fully ADA compliant
- Limited lifetime warranty
- Meets CEC requirements

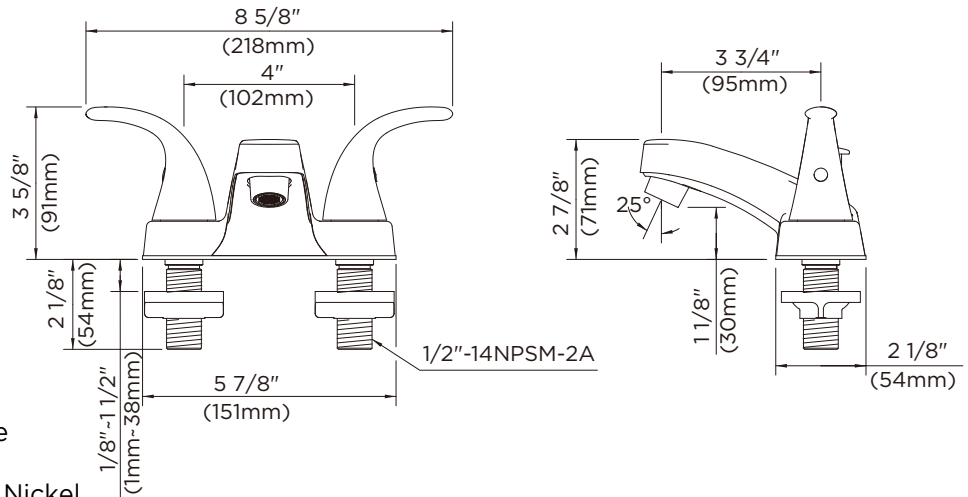


Standards & Certifications:

- ASME A112.18.1M
- NSF/ANSI 372
- IAPMO/cUPC
- ICC/ANSI A117.1
- EPA/WaterSense Pending
- MASS Code

Catalog Numbers:

- 43-153-W** Less drain, Chrome
- 43-194-W** Plastic Pop-Up, Chrome
- 43-165-W** Brass Pop-up, Chrome
- 43-165-W-BN** Brass Pop-up, Brushed Nickel
- 43-156-W** 50/50 Pop-Up, Chrome



Prefixes Available:

None

Suffixes Available:

- W** Washerless
- BN** Brushed Nickel

Job Name	
Date	
Model Specified	
Quantity	
Customer	
Contractor	
Architect/engineer	

Gerber Toll Free Technical Support: 888-648-6466
www.gerberonline.com