



GERBER

43-143 Series Maxwell®

Two Handle Lavatory Faucet

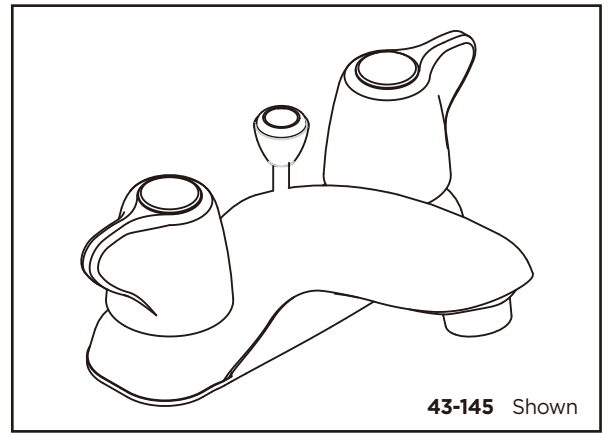


NSF/ANSI 372



Features:

- Three hole installation
- Ceramic disc cartridges G0086986 & G0086987
- Includes plastic pop-up drain GA605110 with color-matching cap and rough brass tailpiece; includes pop-up drain GA605007 with color-matching cap and rough brass tailpiece; includes 50/50 pop-up drain GA505020 with color-matching cap and black tailpiececap and rough brass tailpiece; or no drain
- 4" center to center installation range
- 1.5 gpm (5.7 L/min) maximum aerator G0091568 @ 60 psi
1.0 gpm (3.8 L/min) maximum aerator @ 60 psi
- Lead free waterway per NSF/ANSI 372
- Fully ADA compliant
- Limited lifetime warranty



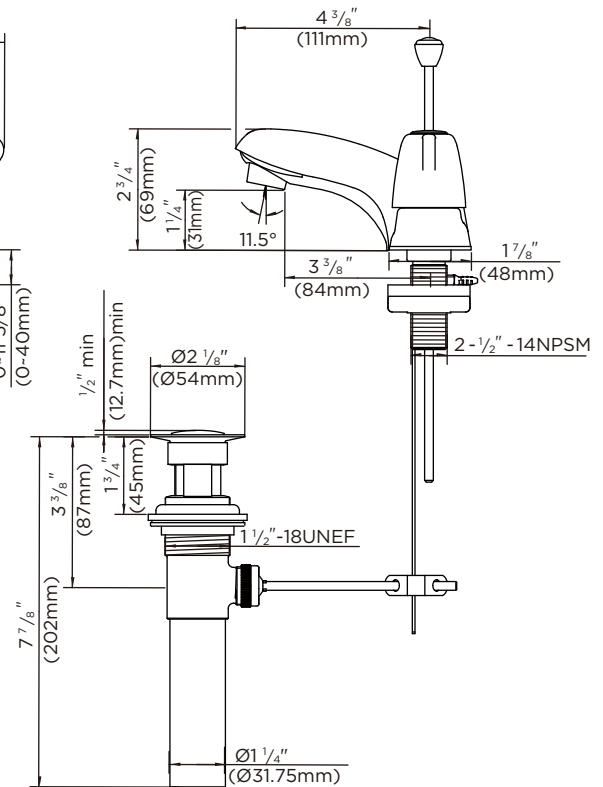
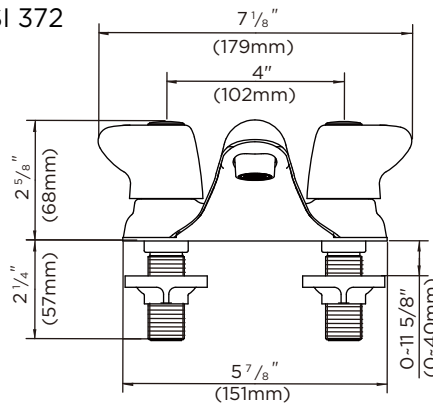
43-145 Shown

Standards & Certifications:

- ASME A112.18.1M
- NSF/ANSI 372
- IAPMO/cUPC
- ICC/ANSI A117.1
- EPA/Watersense
- MASS Code

Catalog Numbers:

- 43-143** 1.5gpm, Less Drain Assembly, Chrome
- 43-144** 1.5gpm, Plastic Pop-up, Chrome
- 43-145** 1.5gpm, Brass Pop-up, Chrome
- 43-145-LF** 1.0gpm, Brass Pop-up, Chrome
- 43-145-BN** 1.5gpm, Brass Pop-up, Brushed Nickel
- 43-146** 1.5gpm, 50/50 Pop-up, Chrome



Prefixes Available:

None

Suffixes Available:

- LF** Low Flow
- BN** Brushed Nickel

Job Name	
Date	
Model Specified	
Quantity	
Customer	
Contractor	
Architect/engineer	

Gerber Toll Free Technical Support: 888-648-6466
www.gerberonline.com