

## SPECIFICATIONS

### Features/Benefits






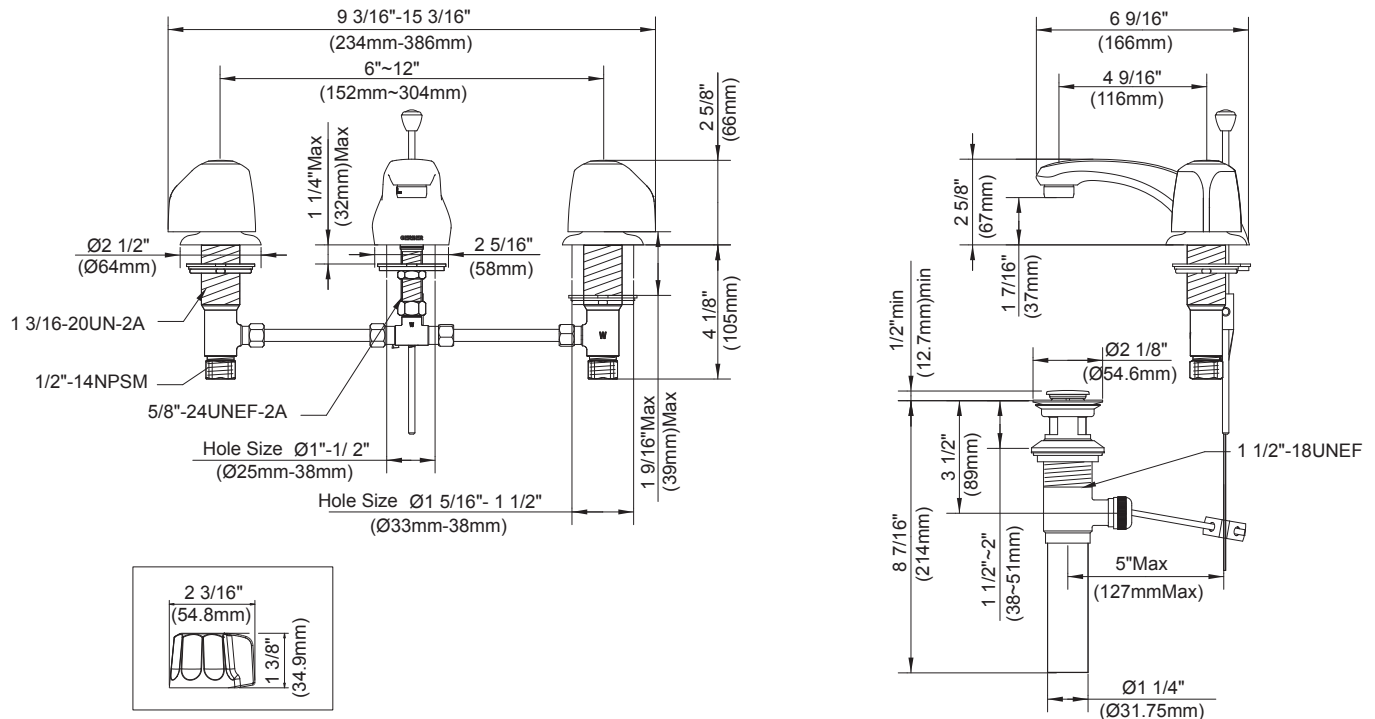
G0043071

- 1.2 gpm (4.5 L/min) Max Flow @ 60 psi with Aerated Stream
- 2 5/8" Spout Height, 4 9/16" Spout Reach
- Compression Cartridges
- Includes Metal Pop-Up Drain Assembly
- 3-Hole Installation
- Temperature Indicators Included on Faucet Body

### Drain Type

- G0043071 With Metal Pop-up Drain Assembly
- G0743071 With Metal Pop-up Drain Assembly
- G004307161 With Metal Pop-up Drain, Flex Connector

Prefixes Available	Suffixes Available	Mount Type	Available Color/Finishes	Standards & Certifications
07- Metal Fluted Handle	-61 Flexible connector (std w/ ceramic)	6"-12"	<div style="background-color: #cccccc; width: 20px; height: 10px; display: inline-block;"></div> Chrome Please see gerber-us.com or current price list for available finishes. Finish is defined by additional suffix.	  



### Submittal Information:

Name: \_\_\_\_\_ Contractor: \_\_\_\_\_  
 Location: \_\_\_\_\_ Contact #: \_\_\_\_\_