



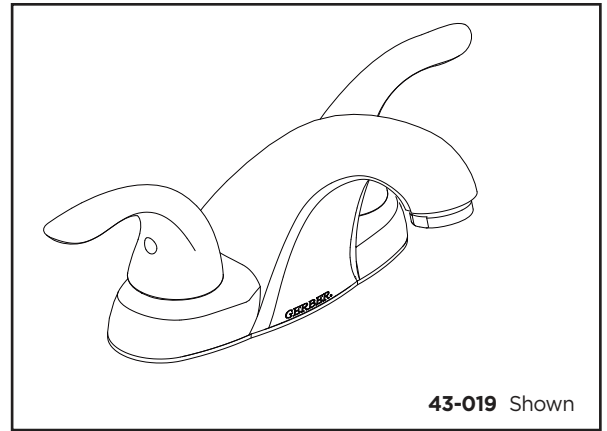
# GERBER

## 43-019 Series Viper™ Two Handle Lavatory Faucet



### Features:

- Three hole installation
- Ceramic disc cartridges G0086986 & G0086987
- Plastic touch down drain
- Chrome or brushed nickel finish
- 1.2 gpm (4.6 L/min) maximum aerator GA50096654N @ 60 psi
- Lead free waterway per NSF/ANSI 372
- Fully ADA compliant
- Limited lifetime warranty
- Meets CEC requirements



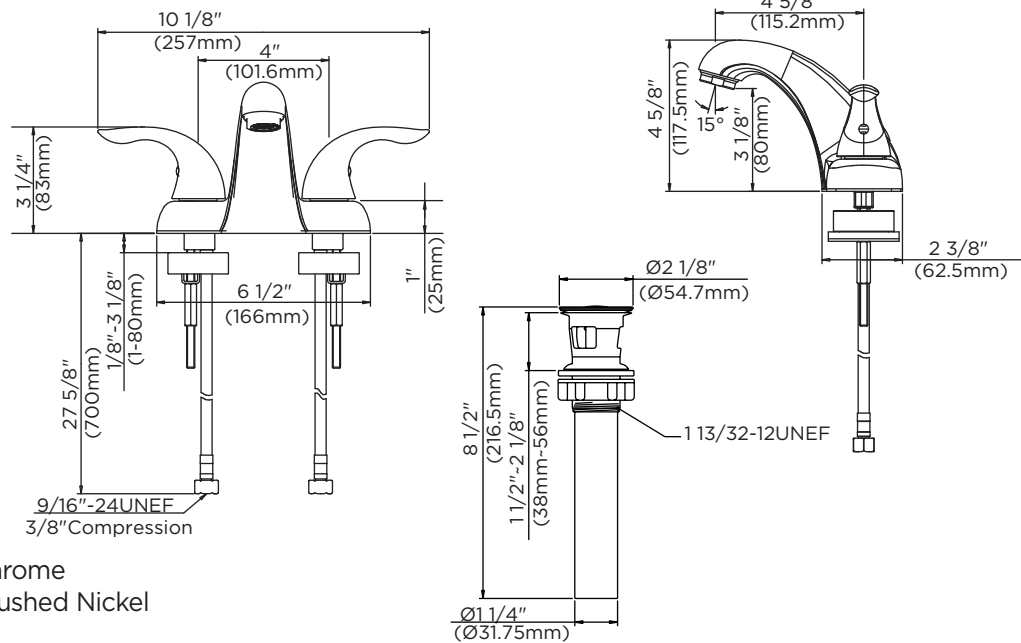
43-019 Shown

### Standards & Certifications:

- ASME A112.18.1M
- NSF/ANSI 372
- IAPMO/cUPC
- ICC/ANSI A117.1
- Mass Code
- WaterSense Pending

### Catalog Numbers:

- 43-019** Plastic touch down, Chrome
- 43-019-BN** Plastic touch down, Brushed Nickel



### Prefixes Available:

None

### Suffixes Available:

- BN** Brushed Nickel

Job Name	
Date	
Model Specified	
Quantity	
Customer	
Contractor	
Architect/engineer	

Gerber Toll Free Technical Support: 1-888-648-6466  
www.gerberonline.com