

## SPECIFICATIONS



### Features/Benefits

- 1.75 gpm (6.6 L/min) Max Flow @ 60 psi
- 5 13/16" (147mm) Spout Height & 8 1/8" (207mm) Spout Reach
- Compression Cartridges
- 8" D-Tube Spout
- 3-Hole Installation

### SKU# Numbers

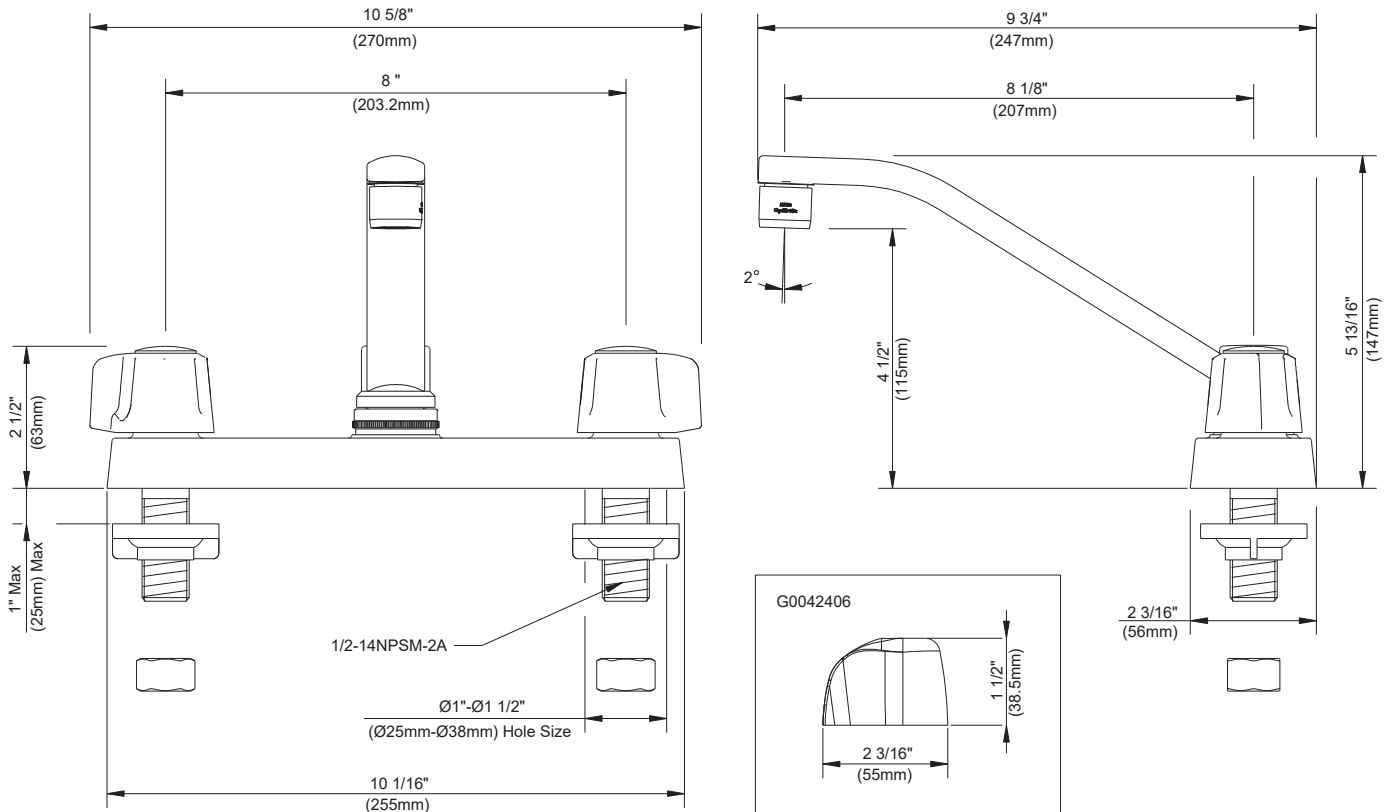
G0042406 Metal Handles  
 G0742406 Metal Fluted Handles

### Available Color/Finishes

Chrome

Please see [gerber-us.com](http://gerber-us.com) or current price list for available finishes.  
 Finish is defined by additional suffix.

### Standards & Certifications



### Submittal Information:

Name: \_\_\_\_\_  
 Location: \_\_\_\_\_

Contractor: \_\_\_\_\_  
 Contact #: \_\_\_\_\_