



41-893 Series Chain & Stopper Bath Drains (With Reducing Tailpiece)

Features:

- Fits most tubs 14" to 16" high
- 1-1/2" brass tubing in 17 and 20 Gauges
- Patented adjustable self-retaining rubber head gasket
- Cast brass shoe plug
- Heavy duty cast red brass head, tee and shoe
- Cast red brass coupling nuts supplied with 17 and 20 Gauge Tubing
- Solid rubber stopper with metal post
- Heavy duty chain
- Partially assembled in carton
- Compartmentalized packaging
- Reducing 1-3/8" tail piece for leg tubs
- Rough chrome plated castings and tubes
- Available in Chrome only

Standards & Certifications:

- ASME A112.18.2M
- CSA B125.2
- IAPMO/cUPC
- MASS Code

Catalog Numbers:

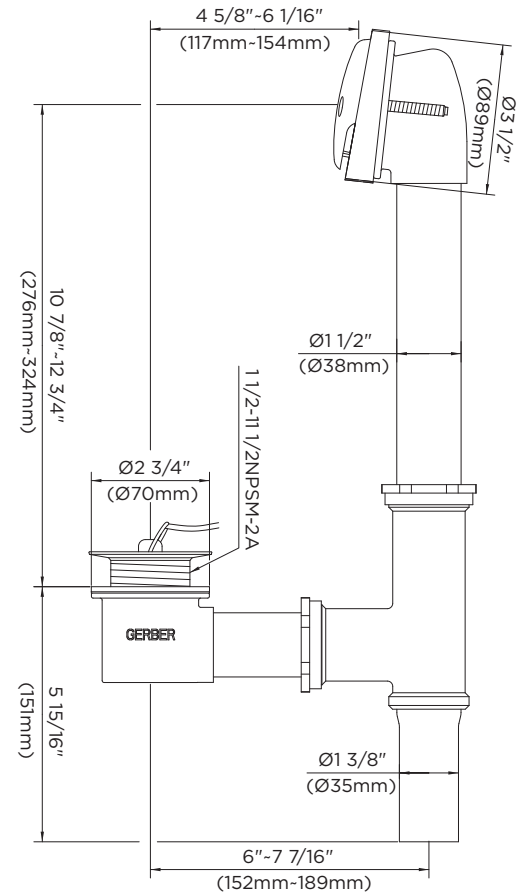
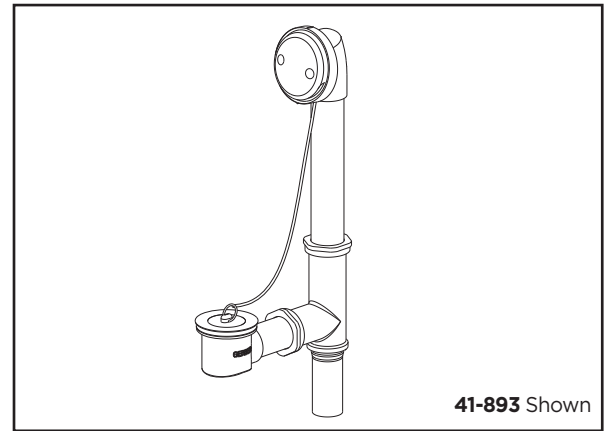
41-893 17 Gauge (Chrome)

41-894 20 Gauge (Chrome)

Suffixes Available:

-76 Retaining Ring

(Compliance w/Chicago Code In Special Finishes)



Job Name	
Date	
Model Specified	
Quantity	
Customer	
Contractor	
Architect/engineer	

Gerber Toll Free Technical Support: 888-648-6466
www.gerberonline.com