



Chain & Stopper Bath Drains

Features:

- Fits most tubs 14" to 16" high
- 1-1/2" plastic tubing in PVC
- Patented adjustable self-retaining rubber head gasket
- Cast brass shoe plug
- Solid rubber stopper with metal post
- Heavy duty chain
- Partially assembled in carton
- Compartmentalized packaging
- Available in Chrome only

Standards & Certifications:

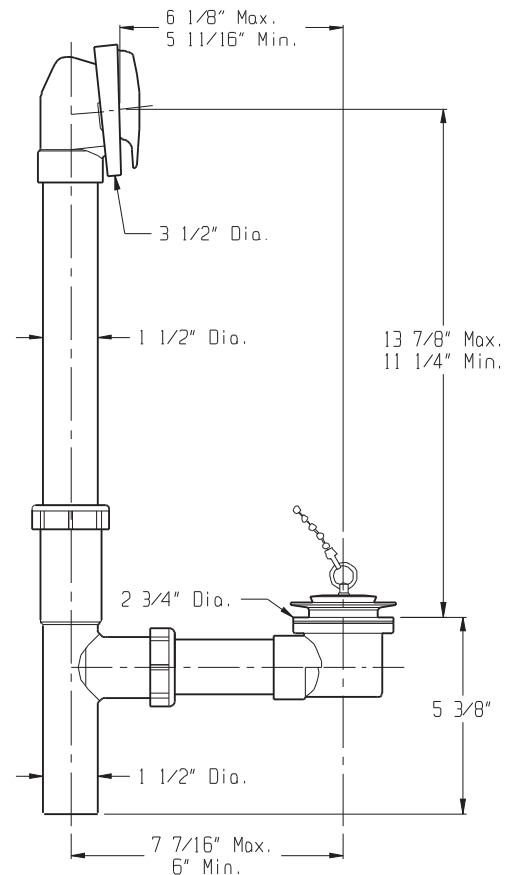
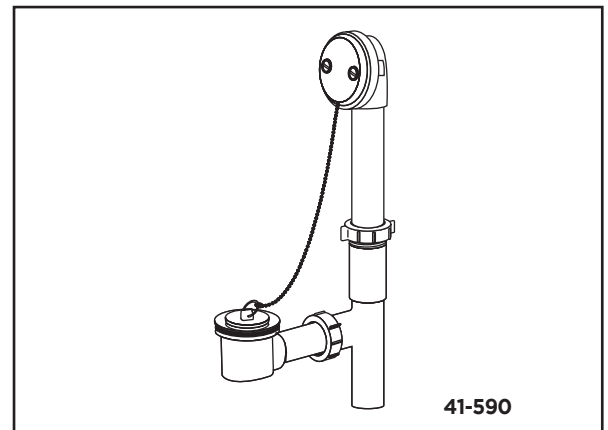
- IAPMO/cUPC

Catalog Numbers:

41-590 PVC (Chrome)

Suffixes Available:

None



Job Name	
Date	
Model Specified	
Quantity	
Customer	
Contractor	
Architect/engineer	