



GERBER

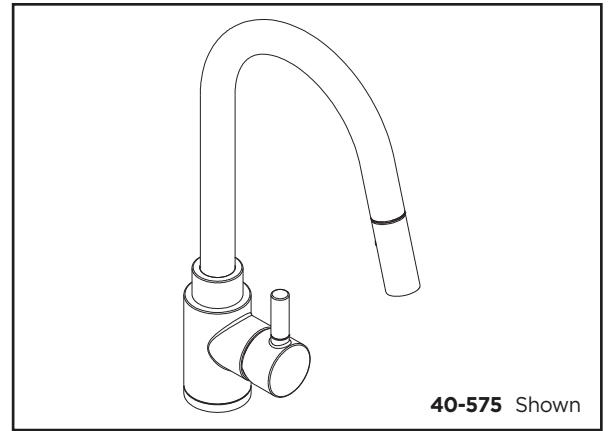
40-575 Series Wicker Park™

Single Handle Pull-Down Kitchen Faucet



Features:

- Single hole installation (deck plate not included)
- Ceramic disc cartridge, G0092298, w/temp limit stop
- 1.75 gpm (6.6 L/min) max Aeration / 2.2 gpm (8.3L/min) max Spray @ 60psi
- Pull-down swivel spout
- Aerated spray function
- Chrome and stainless steel finishes
- SnapBack™ retraction system with Grip Lock™ weight
- Quick connection available
- Lead free waterway per NSF/ANSI 372
- Limited lifetime warranty
- Fully ADA compliant



Optional Components:

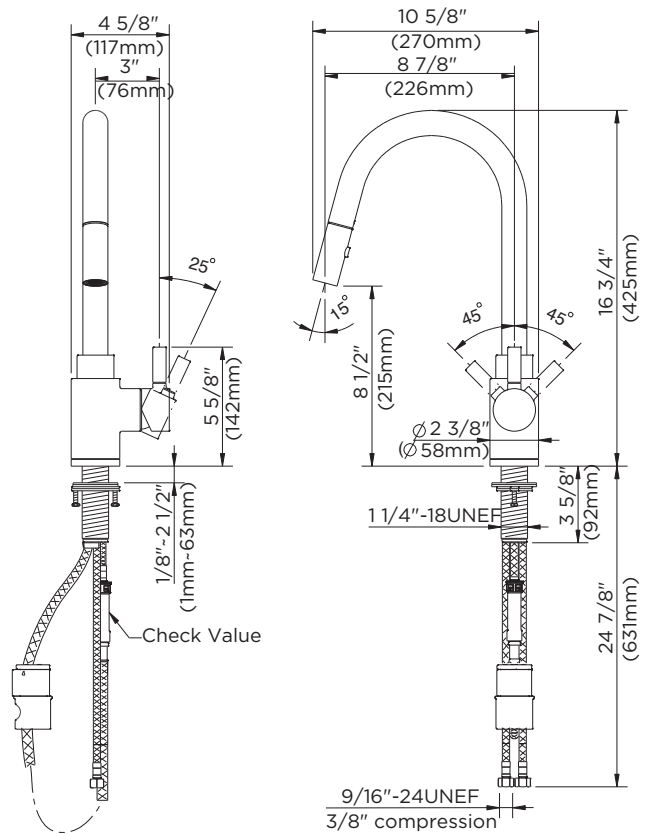
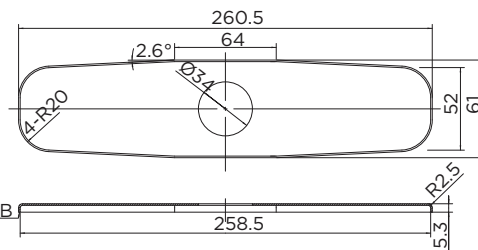
8" deck plate (Product # 97-348)
sold separately

Standards & Certifications:

- ASME A112.18.1M
- NSF/ANSI 372
- IAPMO/cUPC
- ICC/ANSI A117.1
- MASS Code

Catalog Numbers:

- 40-575** Chrome
40-575-SS Stainless Steel



Prefixes Available:

None

Suffixes Available:

-SS Stainless Steel

Job Name	
Date	
Model Specified	
Quantity	
Customer	
Contractor	
Architect/engineer	

Gerber Toll Free Technical Support: 888-648-6466
www.gerberonline.com