



GERBER

40-210-W Series

Maxwell® SE

Single Handle Kitchen Faucet



Features:

- 3 or 4 hole installation
- Washerless cartridge G0097499
- Includes side spray or less spray
- 1.75 gpm (6.6 L/min) max Aeration / 2.2 gpm (8.3L/min) max Spray @ 60psi when used with spray
- 1/2" NPSM supply connection w/brass supply nuts
- Lead free waterway per NSF/ANSI 372
- ADA compliant handle operates with less than 5 lbs force
- Limited lifetime warranty
- Meets CEC requirements

Standards & Certifications:

- ASME A112.18.1
- NSF/ANSI 372
- IAPMO/cUPC
- ICC/ANSI A117.1
- MASS Code

Catalog Numbers:

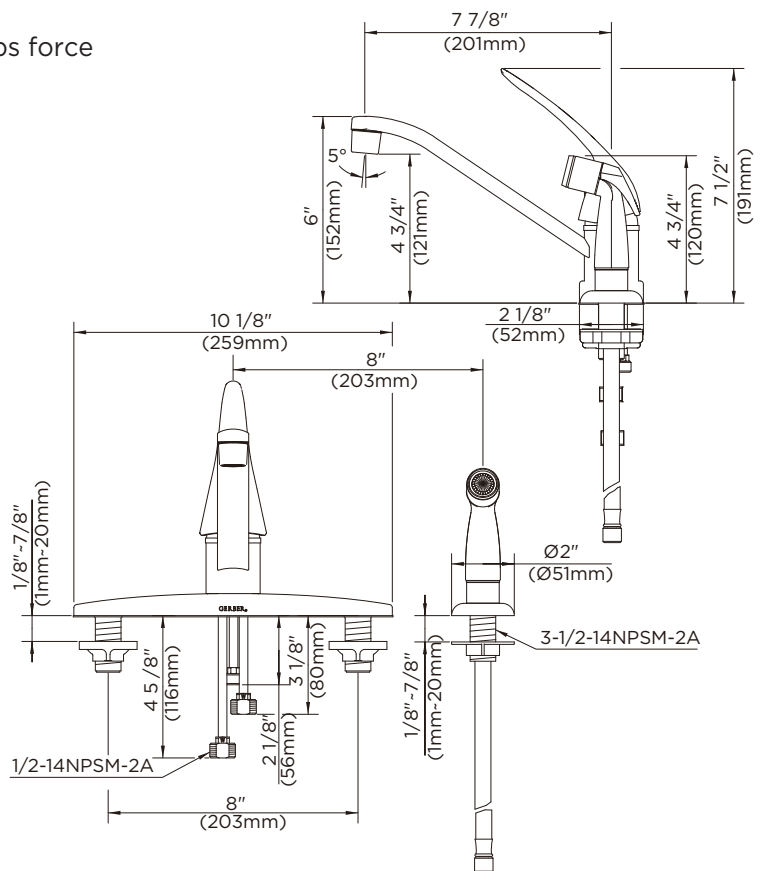
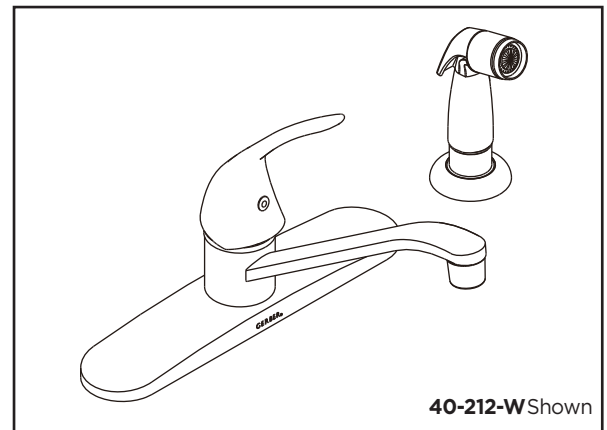
- 40-210-W** Less Spray, Chrome
- 40-212-W** With Spray, Chrome

Prefixes Available:

None

Suffixes Available:

W: Washerless



Job Name	
Date	
Model Specified	
Quantity	
Customer	
Contractor	
Architect/engineer	

Gerber Toll Free Technical Support: 888-648-6466
www.gerberonline.com