



VITREOUS CHINA

URINAL
27-775

LAVATORIES

TOILETS

BIDETS / URINALS

CAST IRON



HAMILTON™ Siphon Jet/Back Spud Wall Hung

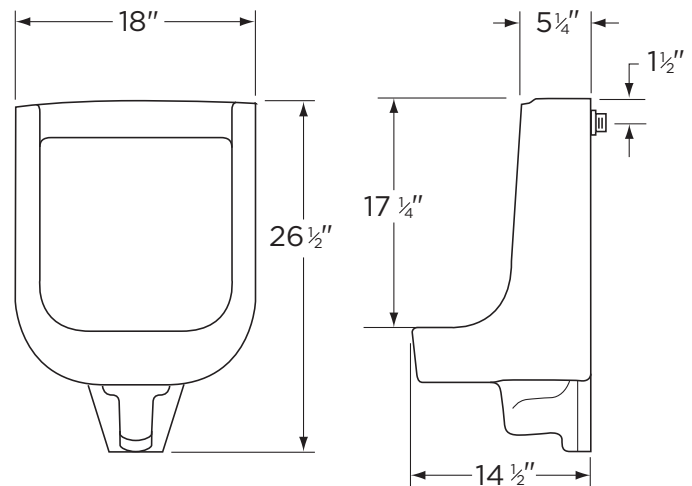
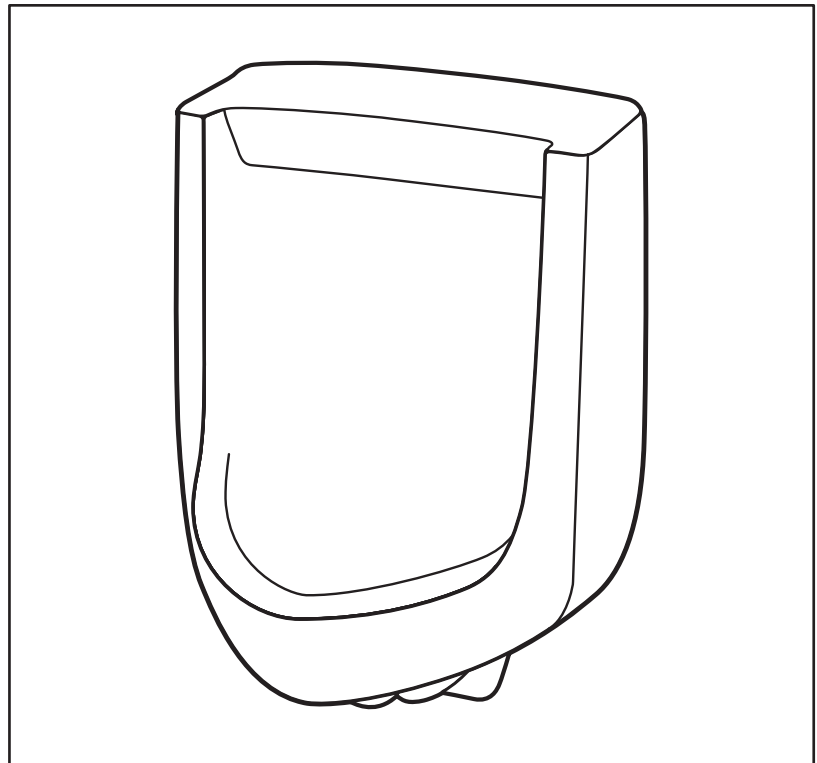


Features:

- Low Consumption 1.0 gpf (3.8 Lpf)
- Half Stall Size
- Integral Flush Spreader
- Extended Shields
- Dual Hangers
- For Concealed Flushometer (back spud) 1" x 3/4" Inlet
- 2" S.P.S. Female Outlet Connection Supplied
- ADA Compliant

Dimensions:

Height 26 1/2"
 Width 18"
 Depth 14 1/2"
 Inlet 3/4"
 Outlet 2"
 Shipping Weight 55 lbs



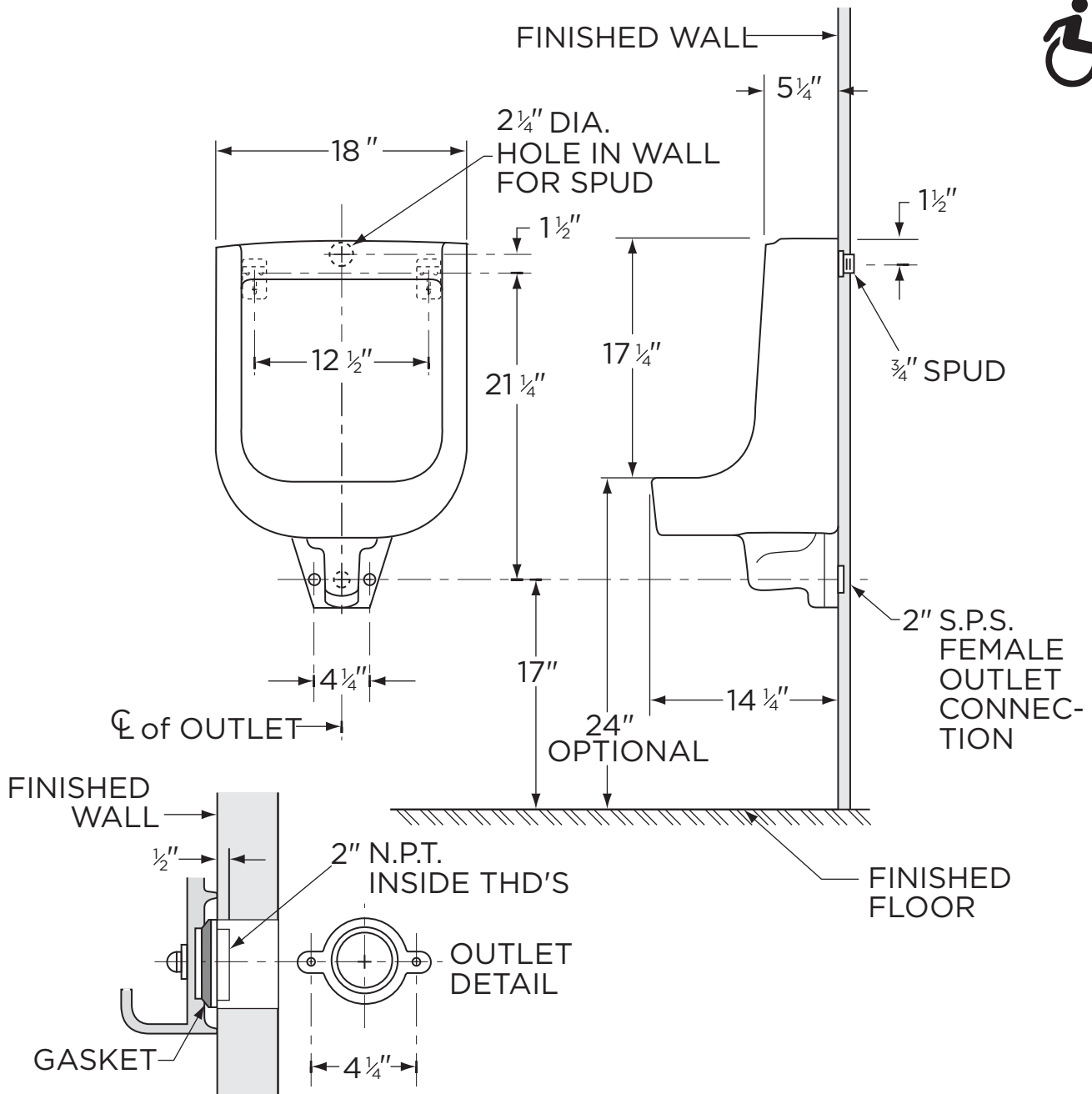
RECOMMENDED STATIC WATER PRESSURE FOR PLUMBING FIXTURES IS 20 - 80 PSI STATIC PER ANSI STANDARDS A112.19.2M APPENDIX B.

THIS FIXTURE QUALIFIES ACCORDING TO ASME TEST PROCEDURES AS A LOW CONSUMPTION URINAL WITH AN AVERAGE CONSUMPTION OF 1.0 gpf (3.8 Lpf) OR LESS.



www.gerberonline.com

Job Name	
Date	
Model Specified	
Quantity	
Customer	
Contractor	
Architect/engineer	



NOTES:
 All dimensions are in inches. Use flush valve MFR'S recommended rough-in.
 Recommended static water pressure for plumbing fixtures is 20-80 psi static per ANSI standards A112.19.2 Appendix B.
 Illustrations may not be drawn to scale.
PLUMBERS NOTE:
 Provide suitable reinforcement for all wall supports.

IMPORTANT:
 Dimensions of fixtures are nominal and may vary within the range of tolerances established by ASME Standard A 112.19.2.
 THIS FIXTURE QUALIFIES ACCORDING TO ASME TEST PROCEDURES AS A LOW CONSUMPTION URINAL WITH AN AVERAGE CONSUMPTION OF 1.0 gpf (3.8 Lpf) OR LESS.