

Features:

□ **G0027750**

- Vitreous China
- Low consumption 1.0 gpf (3.8 Lpf)
- ADA compliant
- Minimum Wall Space
- Extended Shields
- Top spud 1" x 3/4" for Exposed Flushometer
- 2" Outlet spud NPT G0099160 Included
- Dual Wall Hanger G0099290 Included
- Flushometer not included
- Strainer not included



Technical Information:

Configuration	Wall-mount
Water per flush	1.0 gpf (3.8 Lpf)
Height	22"
Width	14 1/8"
Depth	14 3/8"
Inlet	3/4"
Outlet	2"
Shipping Weight	40 lbs

Accessories: (To Be Purchased Separately)

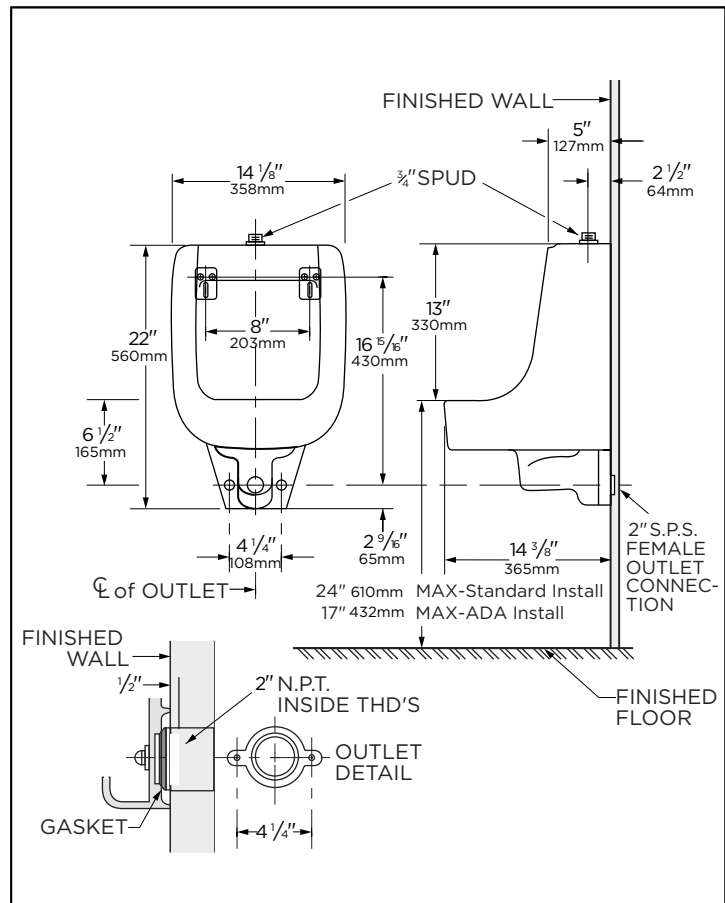
N/A

Available Colors:

- White only
- Other: Refer to price Book for additional colors/finished

Warranty:

- Limited Lifetime on Vitreous China, refer to the website for more details.



NOTES: All dimensions are in inches and millimeter. Illustrations may not be drawn to scale.

Use flush valve MFR'S recommended rough-in. Recommended static water pressure for plumbing fixtures is 20-80 psi static per ASME standards A112.19.2 Appendix B.

IMPORTANT:

Dimensions of fixtures are nominal and may vary within the range of tolerances established by ASME standard A 112.19.2

PLUMBERS NOTE: Provide suitable reinforcement for all wall supports.

THIS FIXTURE QUALIFIES ACCORDING TO ASME TEST PROCEDURES AS A LOW CONSUMPTION URINAL WITH AN AVERAGE CONSUMPTION OF 1.0 gpf (3.8 Lpf) OR LESS