



VITREOUS CHINA

Urinal
27-730

LAVATORIES

TOILETS

BIDETS / URINALS

CAST IRON



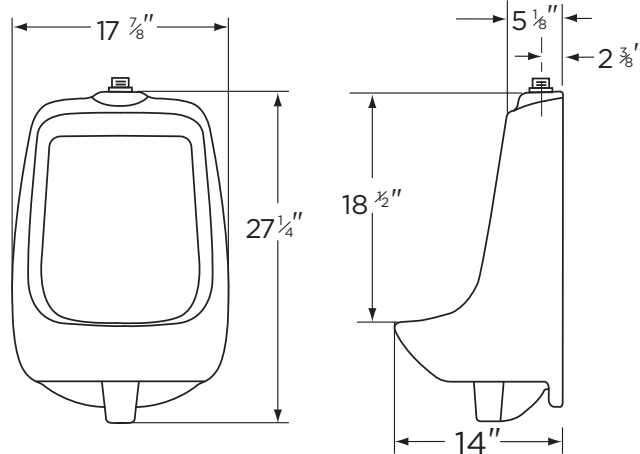
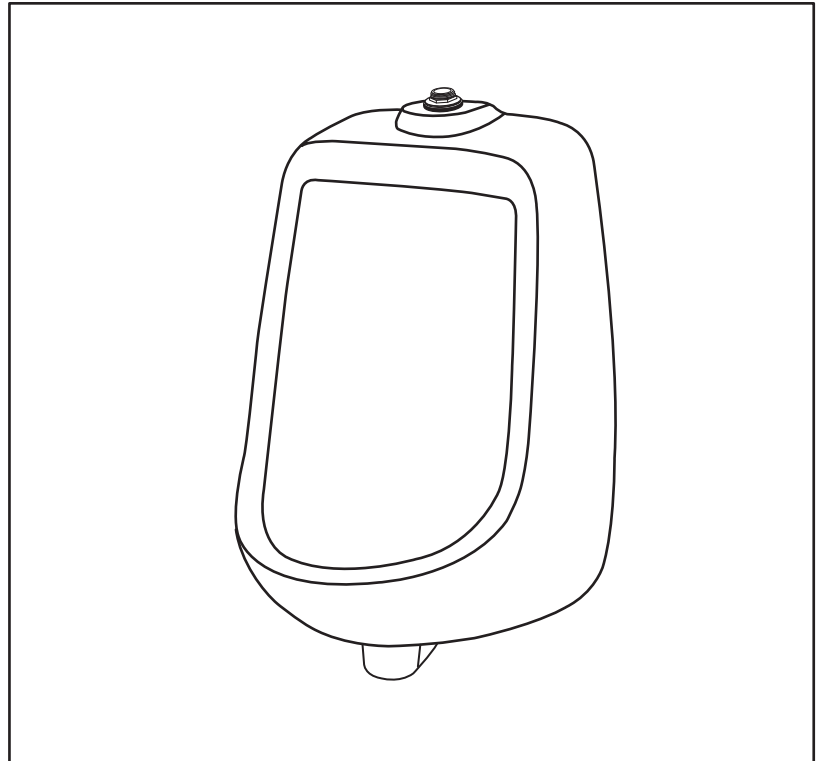
NORTHPOINT™ Top Spud Urinal

Features:

- Low Consumption 1.0 gpf (3.8 Lpf)
- Half Stall Size
- Flushing Rim
- Washout Flush Action
- Elongated Rim (14" from finished wall)
- 3/4" Inlet Top Spud for Exposed Flushometer
- Outlet Connection Threaded 2" Inside (NPTF)
- Dual Wall Hangers
- ADA compliant

Dimensions:

- Height 27 1/8"
- Width 17 7/8"
- Depth 14"
- Inlet..... 3/4"
- Outlet..... 2"
- Shipping Weight 52 lbs



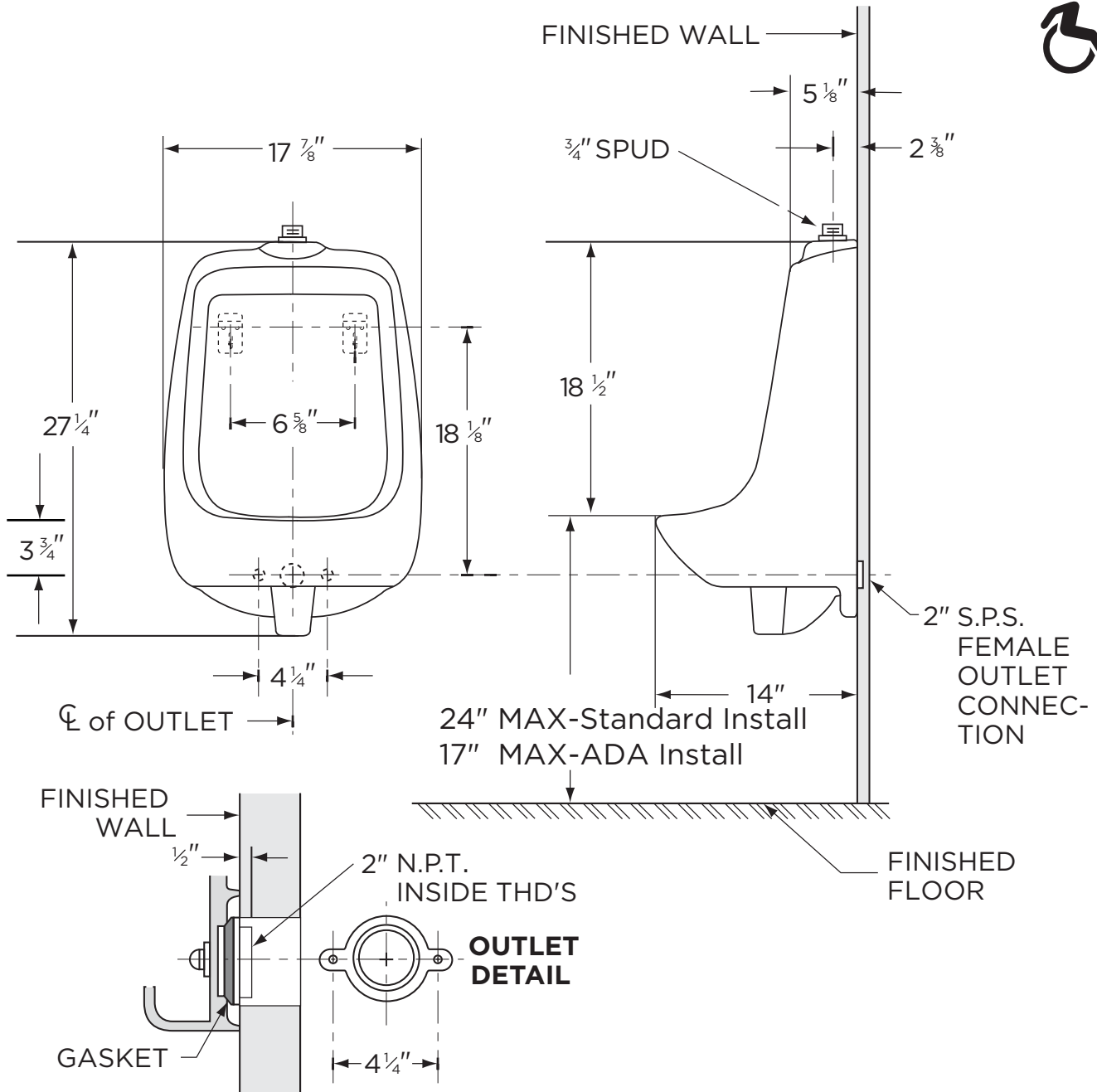
RECOMMENDED STATIC WATER PRESSURE FOR PLUMBING FIXTURES IS 20 - 80 PSI STATIC PER ANSI STANDARDS A112.19.2 APPENDIX B

THIS FIXTURE QUALIFIES ACCORDING TO ASME TEST PROCEDURES AS A LOW CONSUMPTION URINAL WITH AN AVERAGE CONSUMPTION OF 1.0 gpf (3.8 Lpf) OR LESS.



www.gerberonline.com

Job Name	
Date	
Model Specified	
Quantity	
Customer	
Contractor	
Architect/engineer	



NOTES:
 All dimensions are in inches. Use flush valve MFR'S recommended rough-in.
 Recommended static water pressure for plumbing fixtures is 20-80 psi static per ANSI standards A112.19.2 Appendix B.
 Illustrations may not be drawn to scale.
PLUMBERS NOTE:
 Provide suitable reinforcement for all wall supports.

IMPORTANT:
 Dimensions of fixtures are nominal and may vary within the range of tolerances established by ASME Standard A 112.19.2. THIS FIXTURE QUALIFIES ACCORDING TO ASME TEST PROCEDURES AS A LOW CONSUMPTION URINAL WITH AN AVERAGE CONSUMPTION OF 1.0 gpf (3.8 Lpf) OR LESS.