



VITREOUS CHINA

Urinal
27-720

LAVATORIES

TOILETS

BIDETS / URINALS

CAST IRON



NORTHPOINT™ Top Spud Urinal

Features:

- Low Consumption 1.0 gpf (3.8 Lpf)
- Space Saving Size
- Flushing Rim
- Washout Flush Action
- Elongated Rim (14" from finished wall)
- 3/4" Inlet Top Spud for Exposed Flushometer
- Outlet Connection Threaded 2" Inside (NPTF)
- Dual Wall Hangers
- ADA compliant

Dimensions:

Height21 7/8"
 Width 14 1/4"
 Depth14"
 Inlet.....3/4"
 Outlet.....2"
 Shipping Weight39 lbs

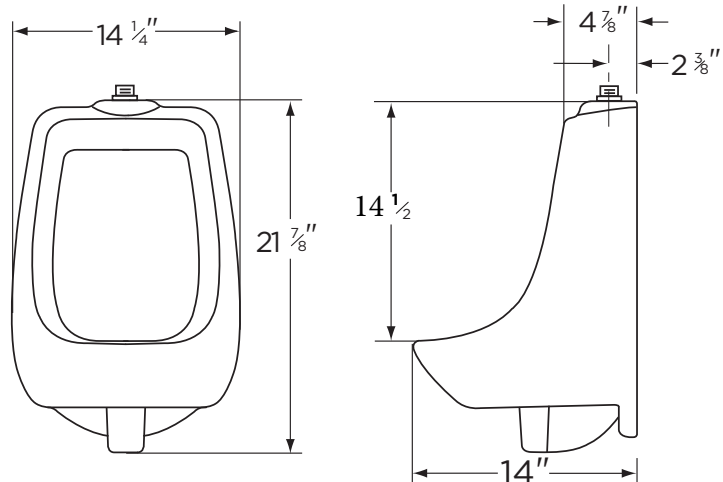


Warranty:

- Limited Lifetime Warranty

RECOMMENDED STATIC WATER PRESSURE FOR PLUMBING FIXTURES IS 20 - 80 PSI STATIC PER ANSI STANDARDS A112.19.2 APPENDIX B

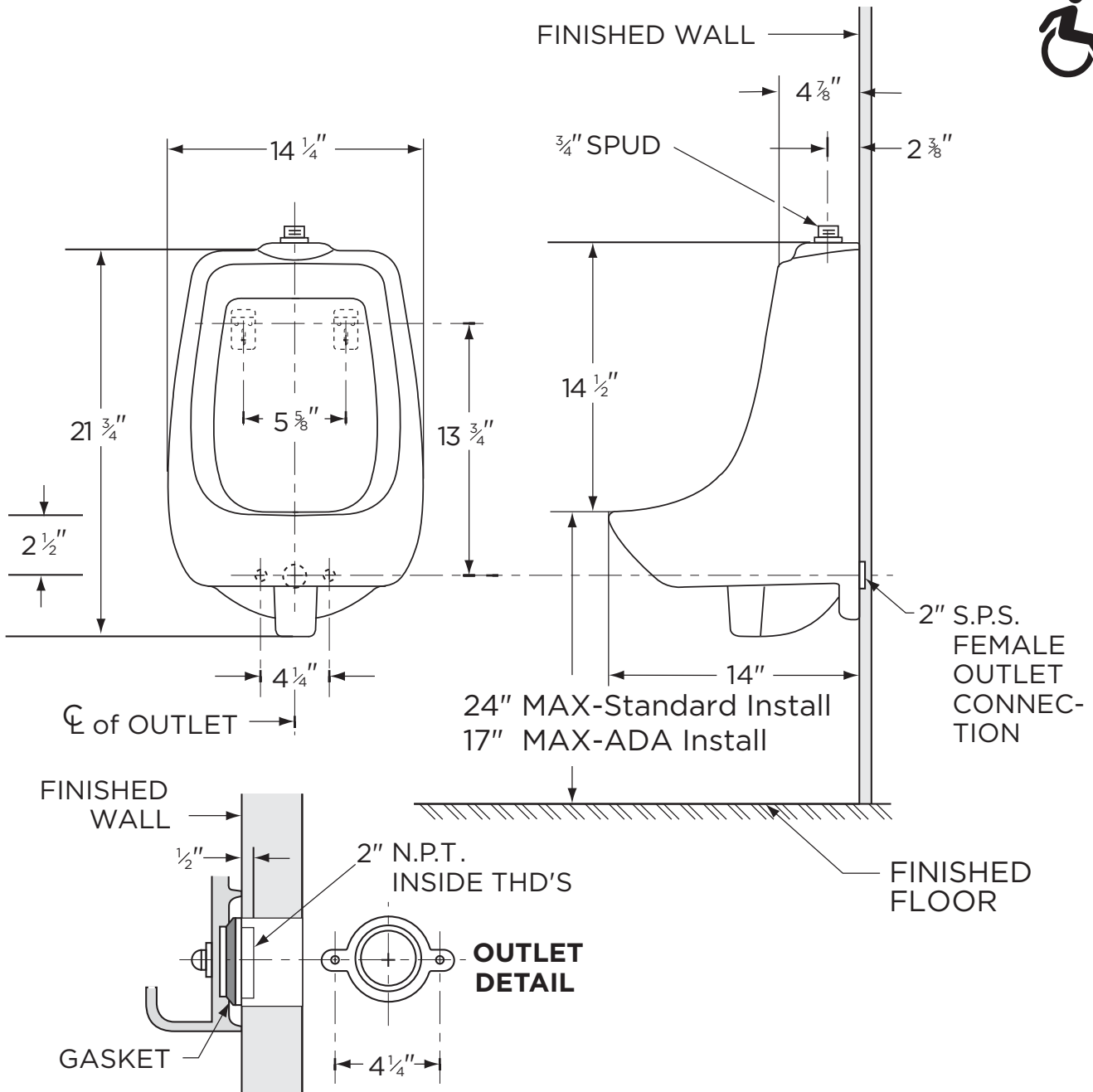
THIS FIXTURE QUALIFIES ACCORDING TO ASME TEST PROCEDURES AS A LOW CONSUMPTION URINAL WITH AN AVERAGE CONSUMPTION OF 1.0 gpf (3.8 Lpf) OR LESS.



Job Name	
Date	
Model Specified	
Quantity	
Customer	
Contractor	
Architect/engineer	



www.gerberonline.com



NOTES:

All dimensions are in inches. Use flush valve MFR'S recommended rough-in.

Recommended static water pressure for plumbing fixtures is 20-80 psi static per ANSI standards A112.19.2 Appendix B.

Illustrations may not be drawn to scale.

PLUMBERS NOTE:

Provide suitable reinforcement for all wall supports.

IMPORTANT:

Dimensions of fixtures are nominal and may vary within the range of tolerances established by ASME Standard A 112.19.2. THIS FIXTURE QUALIFIES ACCORDING TO ASME TEST PROCEDURES AS A LOW CONSUMPTION URINAL WITH AN AVERAGE CONSUMPTION OF 1.0 gpf (3.8 Lpf) OR LESS.