



VITREOUS CHINA

TOILET
21-804

LAVATORIES

TOILETS

BIDETS / URINALS

CAST IRON

AVALANCHE™ Round Front Toilet

14" Rough-in

Features:

- 1.6 gpf (6.0 Lpf)
- Round Front Bowl
- Slim Line Tank
- Gerber XP-3 Technology
- Fluidmaster® Fill Valve
- 3" Flush Valve
- Glazed Trapway
- Reverse Trap
- Dual Feed Jet
- Side Tank Lever
- White, Bone and Biscuit
- 2 Bolt Caps

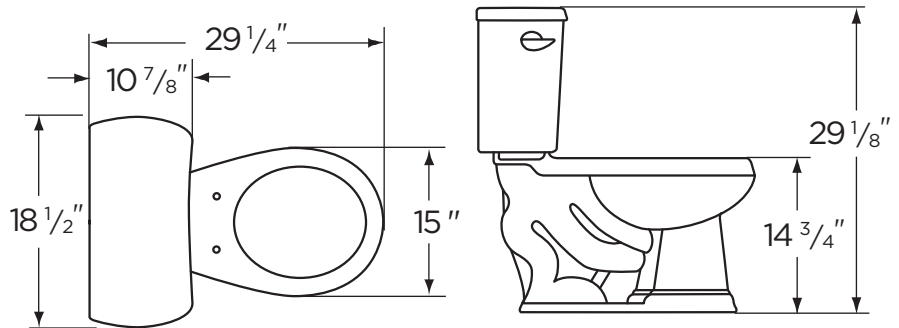


Dimensions:

- Height 29 1/8"
- Width 18 1/2"
- Depth 26 1/4"
- Rough-in 14"
- Water Surface from Rim ... 5 3/4"
- Trapway (min)..... 2"
- Water Surface 10 5/8" x 9 1/8"
- Water Seal 2 3/8"
- Shipping Weight 89 lbs

Specifications: Bowl—#21-852 Round Front
Seat not included

Tank—#28-894



THIS FIXTURE QUALIFIES ACCORDING TO ASME TEST PROCEDURES AS A WATER CLOSET WITH AN AVERAGE CONSUMPTION OF 1.6 GAL. OR LESS.



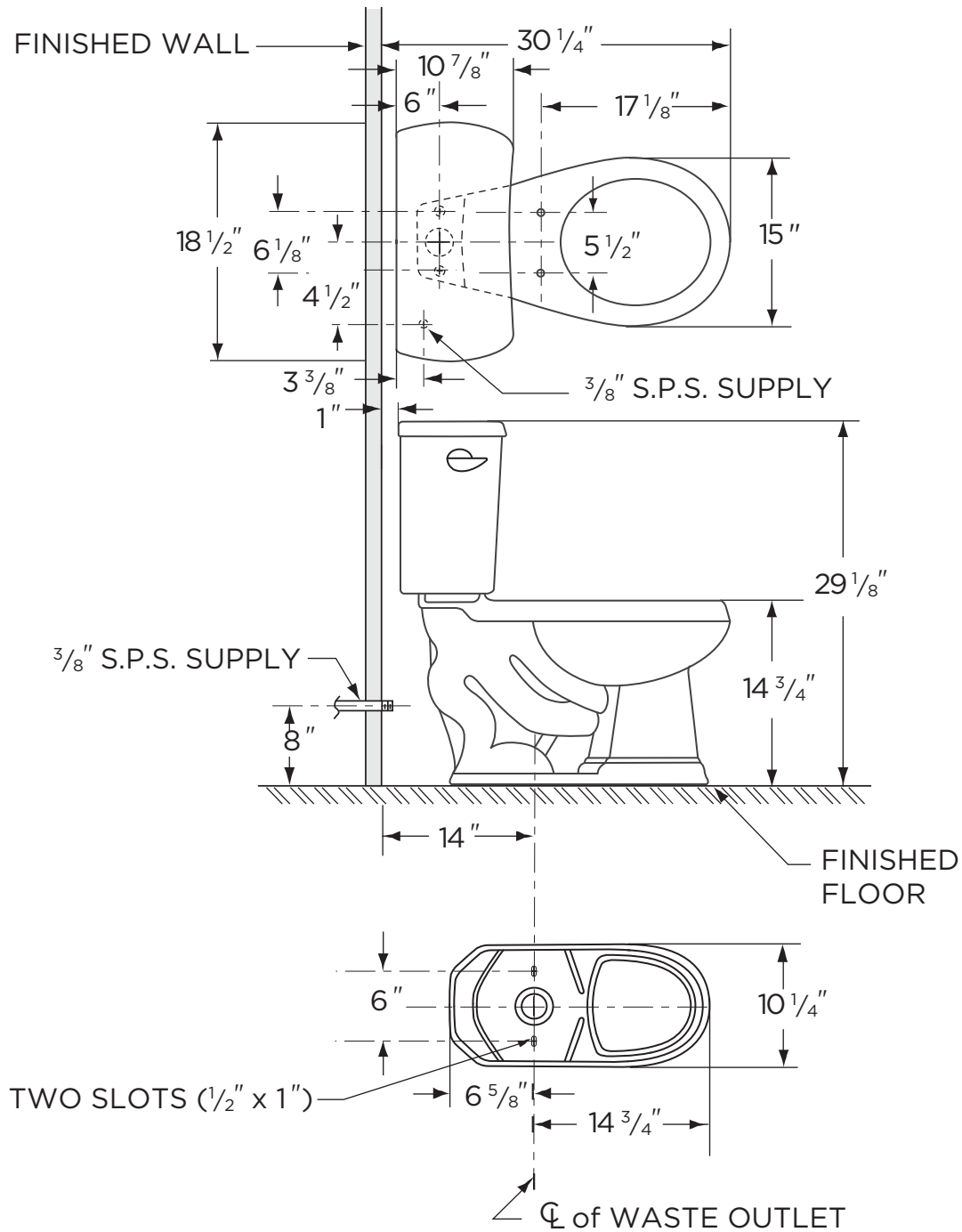
| | |
|--------------------|--|
| Job Name | |
| Date | |
| Model Specified | |
| Quantity | |
| Customer | |
| Contractor | |
| Architect/engineer | |

www.gerberonline.com



1.6 gpf (6 Lpf) AVALANCHE™ TOILET

21-804
Round Front, 14" Rough-in
(Bowl 21-852 and Tank 28-894)



NOTES:
All dimensions are in inches.
Illustrations may not be drawn to scale.

IMPORTANT:
Dimensions of fixtures are nominal and may vary within the range of tolerances established by ASME Standard A 112.19.2.
THIS FIXTURE QUALIFIES ACCORDING TO ASME TEST PROCEDURES AS A WATER CLOSET WITH AN AVERAGE CONSUMPTION OF 1.6 gpf (6 Lpf) OR LESS.