



VITREOUS CHINA

TOILET  
21-800

LAVATORIES

TOILETS

BIDETS / URINALS

CAST IRON

# AVALANCHE™ Round Front Toilet

10" Rough-in

### Features:

- 1.6 gpf (6.0 Lpf)
- Round Front Bowl
- Slim Line Tank
- Gerber XP-3 Technology
- Fluidmaster® Fill Valve
- 3" Flush Valve
- Glazed Trapway
- Reverse Trap
- Dual Feed Jet
- Side Tank Lever
- White, Bone and Biscuit
- 2 Bolt Caps

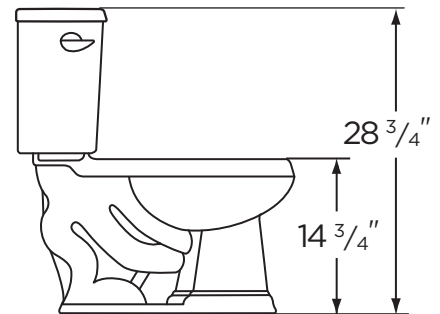
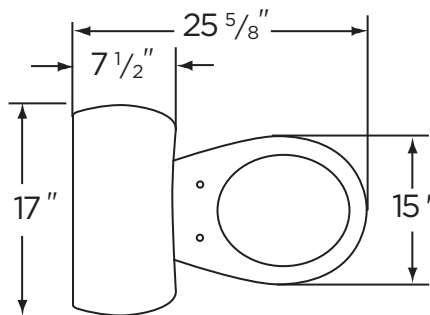


### Dimensions:

- Height .....28 3/4"
- Width .....17"
- Depth .....25 5/8"
- Rough-in .....10"
- Water Surface from Rim ...5 3/4"
- Trapway (min).....2"
- Water Surface ..... 10 5/8" x 9 1/8"
- Water Seal ..... 2 3/8"
- Shipping Weight .....79 lbs

**Specifications:** Bowl—#21-852 Round Front  
Seat not included

Tank—#28-895



THIS FIXTURE QUALIFIES ACCORDING TO ASME TEST PROCEDURES AS A WATER CLOSET WITH AN AVERAGE CONSUMPTION OF 1.6 GAL. OR LESS.



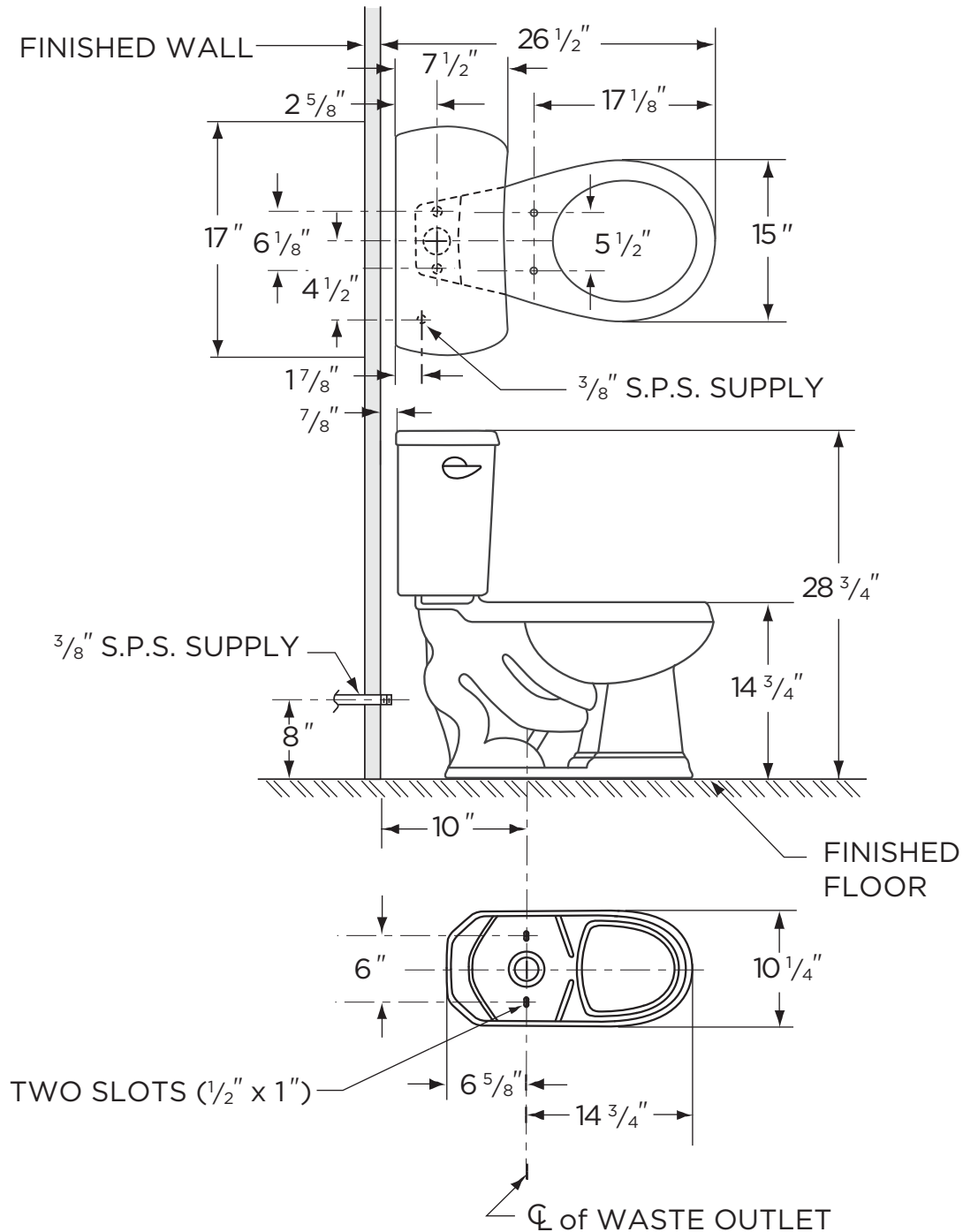
www.gerberonline.com

Job Name	
Date	
Model Specified	
Quantity	
Customer	
Contractor	
Architect/engineer	



# 1.6 gpf (6 Lpf) AVALANCHE™ TOILET

21-800  
Round Front, 10" Rough-in  
(Bowl 21-852 and Tank 28-895)



NOTES:  
All dimensions are in inches.  
Illustrations may not be drawn to scale.

IMPORTANT:  
Dimensions of fixtures are nominal and may vary within the range of tolerances established by ASME Standard A 112.19.2.  
THIS FIXTURE QUALIFIES ACCORDING TO ASME TEST PROCEDURES AS A WATER CLOSET WITH AN AVERAGE CONSUMPTION OF 1.6 gpf (6 Lpf) OR LESS.