



VITREOUS CHINA

TOILET
21-524



14" Rough-in



VIPER™ ErgoHeight™ 17" High Elongated Toilet

Features:

- Low Consumption 1.6 gpf (6.0 Lpf)
- Elongated Bowl
- Slim Line Tank
- Fluidmaster® Fill Valve HP-2 Technology
- Glazed Trapway
- Reverse Trap
- Dual Feed Jet
- Various Colors
- Front Tank Lever
- 2 Bolt Caps
- ADA Compliant

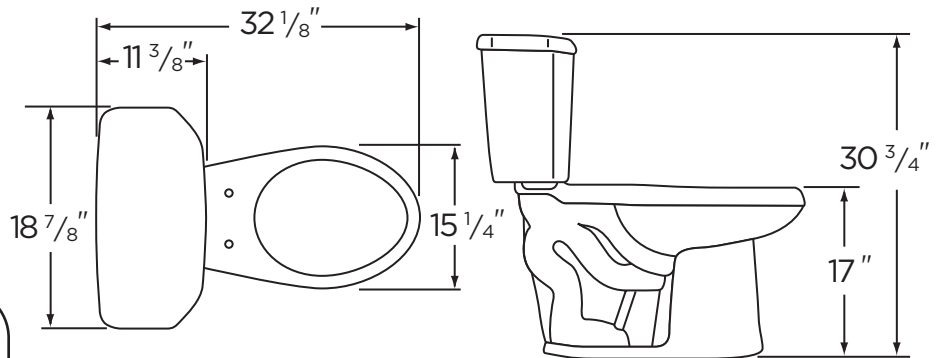


Dimensions:

- Height..... 30 3/4"
- Width..... 18 7/8"
- Depth..... 32 1/8"
- Rough-in..... 14"
- Water Surface from Rim 5 1/4"
- Trapway (min)..... 2"
- Water Surface 10" x 8 1/2"
- Water Seal 2 1/2"
- Shipping Weight 100 lbs

Specifications: Bowl—#21-528 Elongated Bowl
Seat not included

Tank—#28-594



THIS FIXTURE QUALIFIES ACCORDING TO ASME TEST PROCEDURES AS A LOW CONSUMPTION WATER CLOSET WITH AN AVERAGE CONSUMPTION OF 1.6 GAL. OR LESS.



www.gerberonline.com

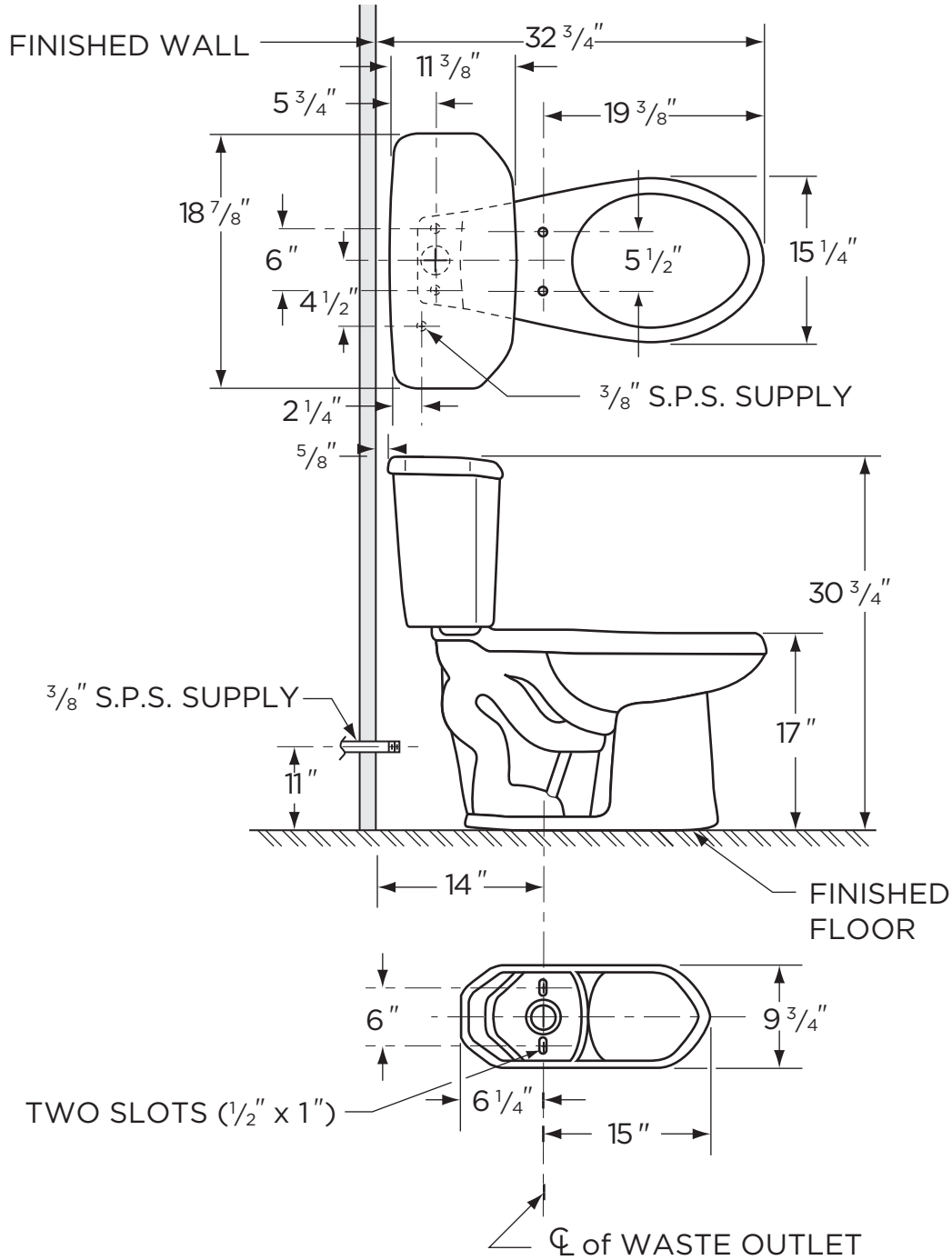
Job Name	
Date	
Model Specified	
Quantity	
Customer	
Contractor	
Architect/engineer	



1.6 gpf (6 Lpf) LOW CONSUMPTION VIPER™ TOILET

21-524

17" High Elongated, 14" Rough-in
(Bowl 21-528 with Tank 28-594)



NOTES:
All dimensions are in inches.
Illustrations may not be drawn to scale.

IMPORTANT:
Dimensions of fixtures are nominal and may vary within the range of tolerances established by ASME Standard A 112.19.2.
THIS FIXTURE QUALIFIES ACCORDING TO ASME TEST PROCEDURES AS A LOW CONSUMPTION WATER CLOSET WITH AN AVERAGE CONSUMPTION OF 1.6 gpf (6 Lpf) OR LESS.